

AquaTech Pressmain

**SINGLE PUMP COLD WATER PRESSURE BOOSTER SETS
WITH GRP BREAKTANK**



'PROJECT MQ'

GENERAL

Complete system

The Project MQ is a complete, all-in-one unit, incorporating pump, motor, diaphragm tank, pressure and flow sensor, controller, non-return valve, 225 Litre/50 Gal. (nom) breaktank with 25mm pre-insulation and supplied with 1" float valve. The controller ensures that the pump starts automatically when water is consumed and stops automatically when the consumption ceases. In addition, the controller protects the pump in case of faults.

Installation

Due to its compact design, the pump does not take up much space and is easy to install. No space around the pump is required.

Simple operation

The pump features a user-friendly control panel with ON/OFF button and indicator lights for indication of the operational state of the pump.

Built-in protective functions

If exposed to dry running or excessive temperature, for example in case of seizure or overload, the pump will stop automatically, thus preventing a motor burnout.

Automatic reset

The pump features an automatic reset function. In case of dry running or similar alarm, the pump will stop. Restarting will be attempted every 30 minutes for a period of 24 hours. The reset function can be deactivated.

Low noise level

Thanks to its hydraulic design and internal cooling, the pump is extremely low-noise.

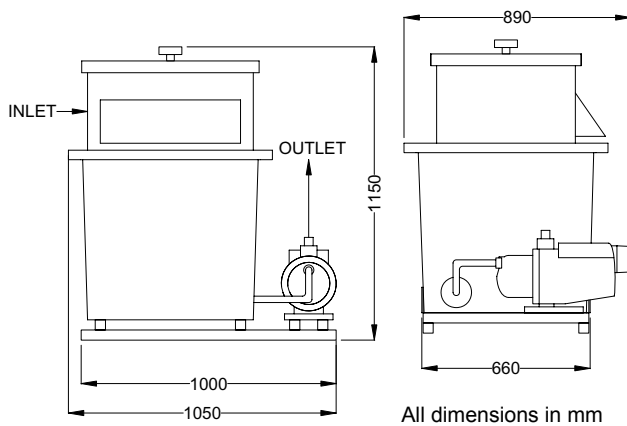
Pressure tank

The built-in pressure tank reduces the number of starts and stops in case of leakages in the pipe system, causing less wear on the pump.

Break tank

WRAS approved Breaktank fitted with raised float valve chamber to form a type 'AB' air gap complying to Water Supply (Water Fittings) Regulations 1999.

DIMENSIONS



TECHNICAL DATA

Pumped liquids

Potable water, rainwater or other clean, thin, non-aggressive liquids not containing solid particles or fibres.

Operating conditions

Inlet pressure: Max. 3 bar.
Liquid temperature: 0°C to +35°C.
Ambient temperature: 0°C to +45°C.

Technical data

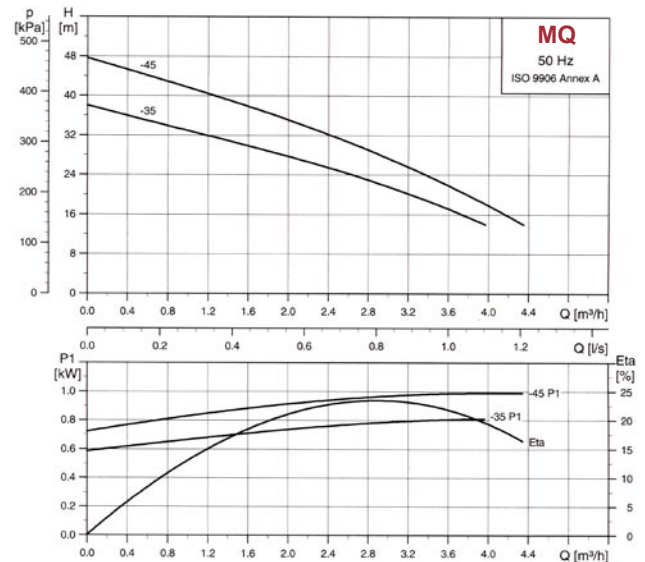
Mains voltage: 1 x 220-240 V, 50 Hz.
Voltage tolerances: -10%/+6%.
Enclosure class: IP54.
Insulation class: B.
Sound pressure level: 55 dB(A).
Marking: CE.

Approvals

Pump materials in contact with the liquid have been approved by WRc according to BS6920 for use in drinking water.

All pipework & fittings are suitable for potable water, fluid category 1.

PERFORMANCE



ELECTRICAL DATA

Pump Type	Voltage	I_n [A]	I_{start} [A]	Power [W]	Net Dry Weight [kg]
MQ 35	1Ph 220-240 VAC	4	11.7	850	25
MQ 45	1Ph 220-240 VAC	4.5	11.7	1000	25

The information in this specification is correct at time of issue; as AquaTech Pressmain design and development programmes are continuous, we reserve the right to make any changes to this specification without prior notice.

AquaTech Pressmain

Head office

AGM House, London Road, Copford, Colchester. CO6 1GT
T: 01206 215121 F: 01206 215131

Manchester Office

Dolphin House, 130 Princess Road, Manchester. M16 7BY
T: 0161 226 4727 F: 0161 226 5848

E: info@aquatechpressmain.co.uk

W: www.aquatechpressmain.co.uk

Leaders in the design, manufacture and assembly of packaged fluid pumping equipment and control systems.
Applications: Cold Water Supply; Fire Fighting; Heating & Chilled System Pressurisation; Tank Level Monitoring.