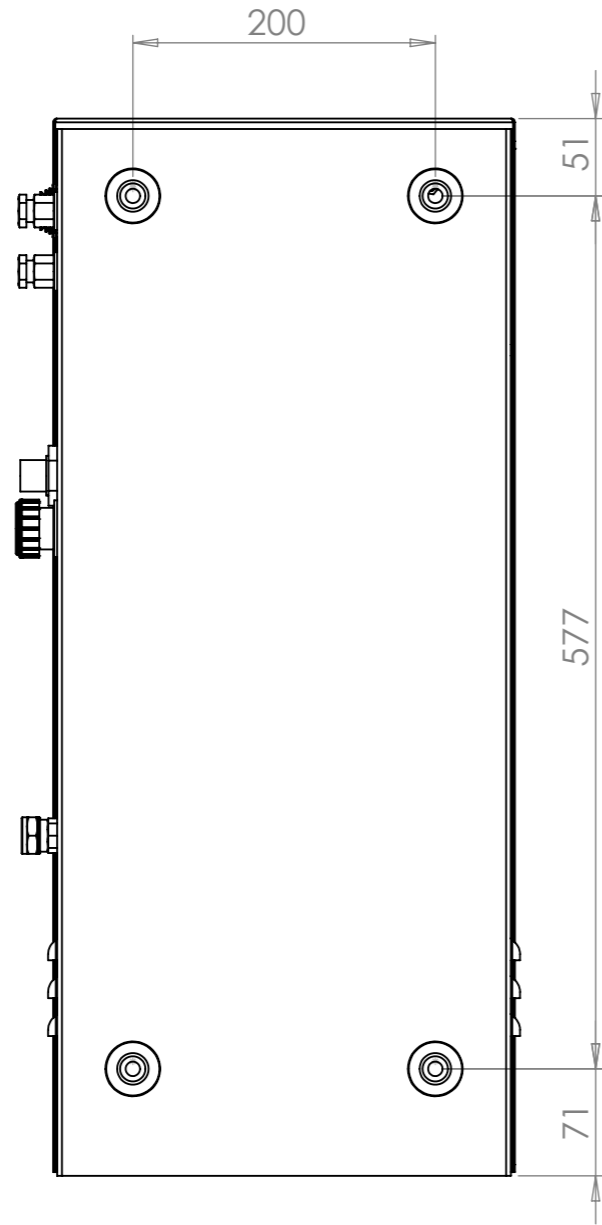
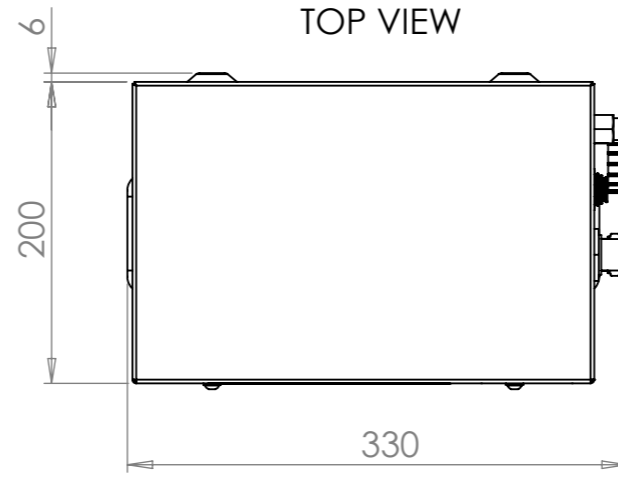


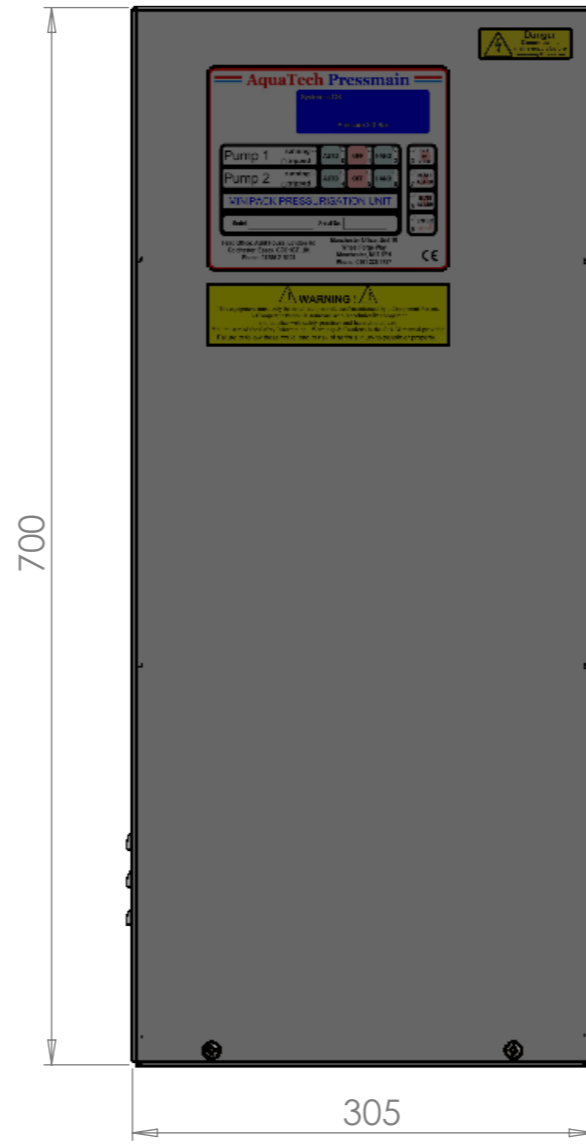
R/H SIDE VIEW



BACK VIEW

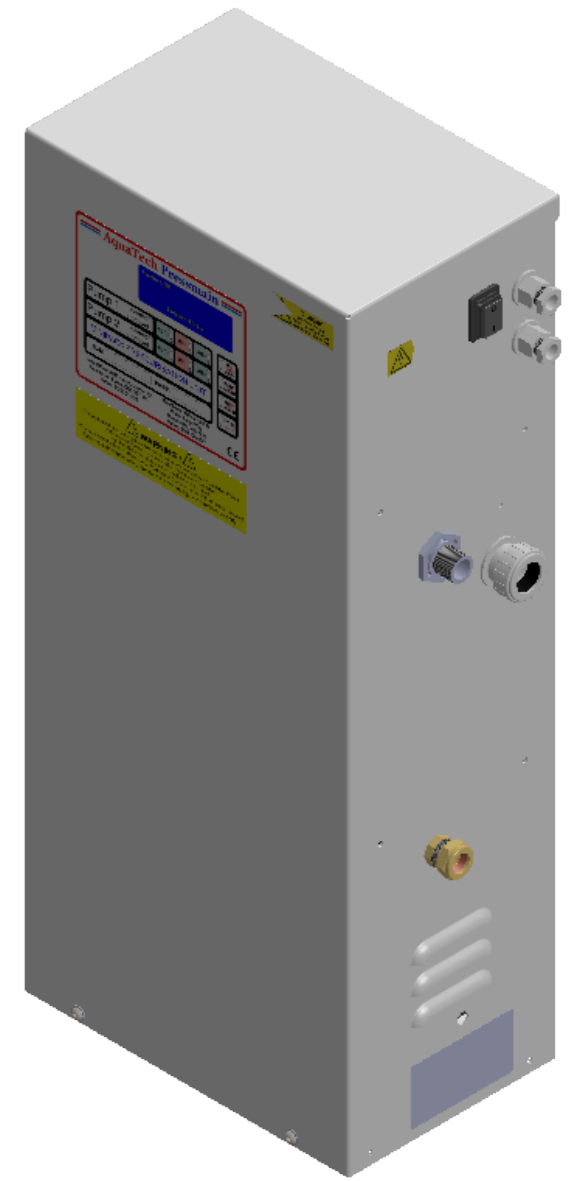


TOP VIEW



FRONT VIEW

- Power Connection Gland
- BMS Connection Gland
- Mains Water Supply 15mm
- Overflow Warning 22mm
- System Connection 15mm



ISOMETRIC VIEW

UNLESS OTHERWISE SPECIFIED:
DIMENSIONS ARE IN MILLIMETERS
GENERAL TOLERANCE +/-10
THIS DRAWING IS COPYRIGHT OF
AQUATECH PRESSMAIN AND SHOULD
NOT BE REPRODUCED WITHOUT
WRITTEN PERMISSION

SCALE: 1:5 A3	Mod Rev: 00-C	WEIGHT: 14 kg
	Dwg Rev: 02	Status: Approved

DWG NO. **AJE-22031S**



DO NOT SCALE DRAWING

Head Office: AGM House, London Road,
Copford, Colchester, Essex, CO6 1GT, UK
Phone: +44 (0)1206 215121 Fax: 215131
Web: www.aquatechpressmain.co.uk
Email: info@aquatechpressmain.co.uk

TITLE:
MP32-E MINIPACK PRESSURISATION UNIT

REV.	AUTHOR	REVISIONS DESCRIPTION	DATE
00	RB	FIRST CHECK IN (APPROVED)	21/08/2015
01	RWW	DRAWING UPDATED	07/01/2016
02	RB	WEIGHT CORRECTED	25/02/2016