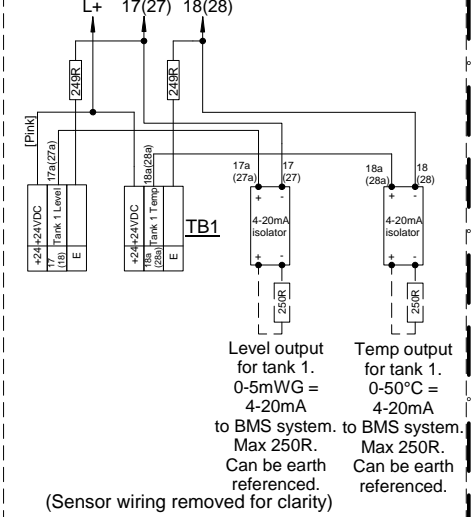
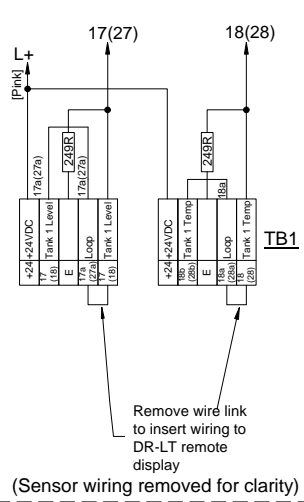


Supply 230VAC 1Ph. 50Hz.  
 Recommended protection in the mains supply line: circuit breaker (IEC898)  
 - up from 16 A char. B  
 or,  
 - up from 10 A char. C

Important !! See note 4

Alternative wiring where DR-LT remote display supplied.  
 \*TANK 2 Connections shown in Brackets e.g. (27a)

Alternative wiring where 4-20mA loop powered isolator supplied. \*TANK 2 Connections shown in Brackets e.g. (27)



\*Volt free relay outputs can be inverted to suit site conditions (i.e. N/O or N/C)  
 Default setting is Normally Open (N/O)  
 See "OutputInv" parameter in "set param" list on Smart relay (LG1, LG2) Refer to instructions manual for access to parameters.

Item	Description	Part No./Type
BOX	Connection Box	GTC-x00001
E1	Enclosure 300x300x132	SPP-610303
F1	Mains Fuse T6.3Ax20mm	RFH-100063
LG1 & 2	LOGO Smart Relay	SGT-024104
LVL	Level Sensor Standard	RNT-442050
	Level Sensor Submersible	RNT-342050
	Level & Temp Submersible	RNT-342550
PS1	LOGO Power Supply	SGT-024113
PR1-4	Precision resistor 0.1%	RRR-1249E2
TB1	Terminal Block	SJD-063160
TMP	Temperature Sensor Subm.	GSR-542005
	Temperature Sensor Std.	GSR-442005
	Level & Temp Submersible	RNT-342550

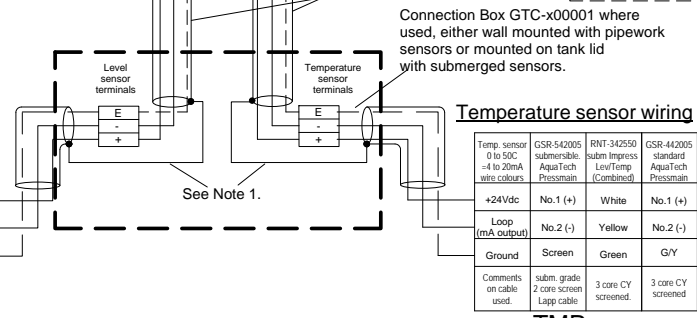
For Wire No.s/Colours see Work Instr. 05/103.  
 NOTE 1: For wiring between control panel, connection boxes, sensors and remote display units, use 0.75mm<sup>2</sup> minimum with screen e.g. "CY" cable, earthed at panel end only. Screen earth should ideally be 360 degree termination to steel enclosure or alternatively to earth stud. Any unused cores must be earthed at panel end only. Alternative to screened cable is to use individual cores in EXCLUSIVE steel conduit.  
 NOTE 2: For wiring between control panel and remote display units see appropriate wiring diagram.  
 NOTE 3: Using the optional extra 4-20mA Loop Powered Isolator enables connection of 250R max resistor with ground reference.  
 NOTE 4: Remote display panel "DR-LT" & loop powered isolator "LPI" cannot be used together. Only one or the other is available.

**Tank sensors**  
 Level sensor wiring

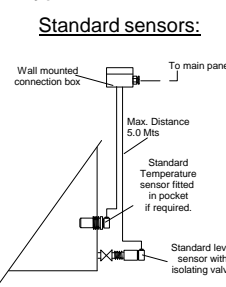
Level sensor	RNT-342050 submersible sensor/technics S201533	RNT-342550 subm Impress LevTemp (Combined)	RNT-442050 standard sensor/technics KTYM6095G2
Level sensor 0 to 5mWG =4 to 20mA wire colours	Red	Red	No.1 (pin1)
+24Vdc	Red	Red	No.1 (pin1)
Loop (mA output)	Blue	Blue	No.2 (pin2)
Ground	Blue Yellow	Green	G/Y (pinE)
Comments on cable used.	subm. grade 4 core screen & vent tube.	3 core CY screened.	3 core CY screened.

**Temperature sensor wiring**

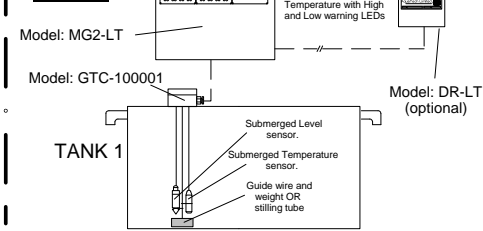
Temp. sensor	GSR-542005 submersible: AquaTech Pressmain	RNT-342550 subm Impress LevTemp (Combined)	GSR-442005 standard: AquaTech Pressmain
Temp. sensor 0 to 50C -4 to 20mA wire colours	No.1 (+)	White	No.1 (+)
+24Vdc	No.2 (-)	Yellow	No.2 (-)
Loop (mA output)	Screen	Green	G/Y
Comments on cable used.	subm. grade 2 core screen Lapp cable	3 core CY screened.	3 core CY screened.



**Typical installation:**



**Submersible sensors:**



Notes :  
 Connect 24VDC to :  
 I1 for test low level alarm  
 I2 for test high level alarm  
 I3 for test low temp. alarm  
 I4 for test high temp. alarm

ISSUE	DESCRIPTION	APPD	DATE
2	Din rail smoothing module (M1) removed, due to smoothing circuit now added to software	RB	13/7/07
3	Connection box detail and wiring updated to suit revised box, and info added on inverting Q1-Q4 outputs (N/O to N/C and vice versa)	RB	7/10/09
4	Combined Level and Temperature sensor details added	RB	14/8/12

Head Office: AGM House, London road, Copford, Colchester, Essex. CO6 1GT. UK  
 Phone: (0)1206-215121 Fax: -215131

**AquaTech Pressmain**

Manchester Office: 130 Princess road, Manchester. M16 7BY. UK  
 Phone: (0)161-226-4727 Fax: -226-5848

TITLE  
**Tankmatic Twin Tank :  
 MG2-LT Level & Temp. Monitor  
 controlled by Smart Relay controller  
 with BMS. 230vac 1 Ph 50Hz.**

DRAWN	APPROVED	DATE
RB		15/6/06

DRWG No. **A11148**