
E-ZW65 EMERGENCY FLOOD KIT



WASTE WATER PUMP

E-ZW65 EMERGENCY FLOOD KIT

WASTE WATER PUMP

Features

- Submersible waste water pump made of stainless steel motor winding with thermal winding protection mechanical seal and additional shaft seal
- Pump housing, motor housing, shaft and suction strainer are made of stainless steel, impeller made of polyamide jacket cooled mono-phase motor
- Float switch for level control
- Protection grade IP 68 – fully submersible

Application

- Portable box for emergency drainage
- Pumping of (invasive) ground water and high water
- Pump can be easily removed and used outside the box

Scope of delivery

- Stainless steel pump E-ZW 65 A with integrated non-return valve, float switch with float hinge and mounting bracket to fix the pump in the box, 10 m power cable and Storz coupling C
- 15 m hose with Storz coupling C with polyethylene kink protection
- Protective box with 8 x 8 mm holes

Product benefits

- Complete set for emergency drainage
- Ready-to-use
- Stainless steel pump with high pump pressure
- Kink-protection and durable hose for high operation safety
- Pump removable from box without disassembly

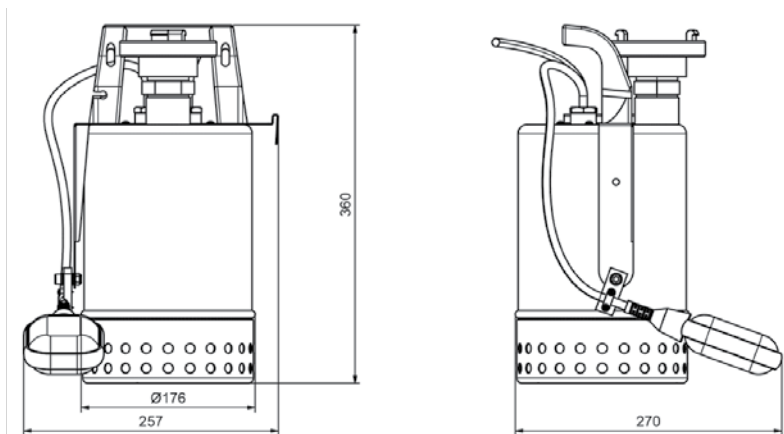
E-ZW65 EMERGENCY FLOOD KIT TECHNICAL DATA

Stock Code	U [V]	P ₁ [W]	P ₂ [W]	I _n [A]	n [min ⁻¹]	Q _{max} [m ³ /h]	H _{max} [m]	SH [mm]	PO	Weight [kg]
MPS-416508K	230	850	430	3,7	2800	9,5	14,0	10	Storz C	17



MATERIALS	
Material Impeller	PA6 GF25
Seal Motor	Shaft seal NBR
Seal Pump	Mechanical seal Carbon/ceramic/NBR
Material Motor Housing	Stainless steel AISI 316L
Material Pump Housing	PP GF30
Material Motor Shaft	Stainless steel AISI 430F
Material Container	Plastic

E-ZW65 EMERGENCY FLOOD KIT DIMENSIONS



AGM House, London Road, Copford, Colchester CO6 1GT
 T: +44 (0)1206 215121 E: info@aquatechpressmain.co.uk www.aquatechpressmain.co.uk