

---

## BULKHEAD FITTING TOOLING

---

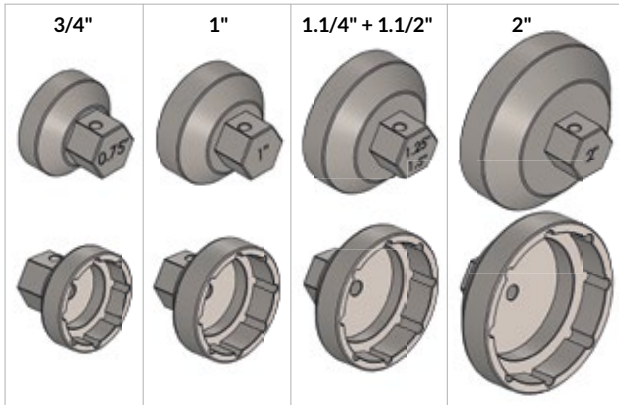


### BULKHEAD TOOLING

# TOOLING FOR BULKHEAD FITTINGS

Aquatech Pressmain have created innovative tooling to simplify the fitting of Winnipeg tank connectors when fitted to GRP cold water storage tanks that incorporate an outer thermal insulation layer. Insulated tanks have recesses in the insulation layer, to enable the tank connector to be fixed to the inner tank wall, which make standard hand tools impracticable to use.

## FRONT SOCKETS

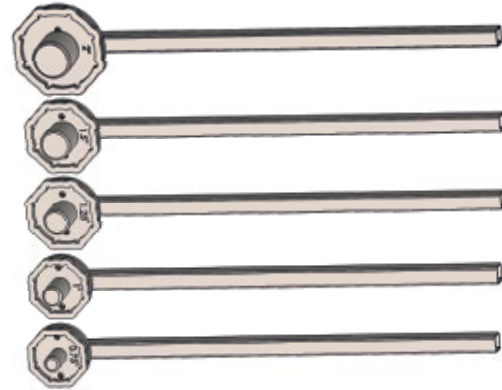


Our tooling consists of a full size range of socket style stainless steel tools that can access the tank recess and tighten the tank fittings positively with zero distortion to the fittings, commonly experienced with standard pipe grip style hand tools. The tank connector tooling can be operated by either the use of a spanner or socket wrench and are a great advantage even on uninsulated tanks.

We offer tooling suitable for 3/4", 1", 1 1/4", 1 1/2" and 2" Winnipeg tank fittings.

PART No.	FRONT SOCKET DESCRIPTION
MXT-200008	3/4" Winnipeg Tank Connector
MXT-200010	1" Winnipeg Tank Connector
MXT-200012	1 1/4" + 1 1/2" Winnipeg Tank Connector
MXT-200020	2" Winnipeg Tank Connector

## BACK SOCKETS



Additionally we can offer tooling to assist the fitting of the internal section of the tank fitting. This tooling allows the internal tank fitting to be placed onto a spigot, the outer section of the tank fitting being located in a drive ring and then lowered into the tank by use of a long handle eliminating human access into the tank.

Two lengths of handle are supplied to cater for most tank sizes. This facilitates a one person fitment.

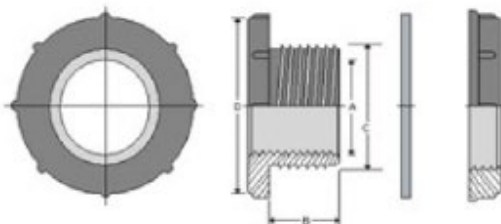
PART No.	BACK SOCKET DESCRIPTION
MXT-201008	3/4" Winnipeg Tank Connector
MXT-201010	1" Winnipeg Tank Connector
MXT-201012	1 1/4" Winnipeg Tank Connector
MXT-201014	1 1/2" Winnipeg Tank Connector
MXT-201020	2" Winnipeg Tank Connector

## COMPATIBLE WITH WINNIPEG BULKHEAD FITTINGS

Winnipeg Plastics & Tool has been a leading manufacturer and supplier of Double Thread Bulkhead Fittings which are used for all water applications (plumbing tank, piping fixtures). They simplify the attachment of plumbing

pieces and also help avoid stress and leaks with various water piping/tank fixtures.

Material: Polypropylene, Gasket: 3/16 Santoprene101



A		B		C		D	
Inch	mm	Inch	mm	Inch	mm	Inch	mm
3/4	19	1 3/16	30	1 5/8	41	2 3/4	70
1	25	1 7/8	47	2 1/16	52	2 7/8	72
1 1/4	32	1 7/16	36	2 1/2	63	3 3/8	86
1 1/2	38	1 7/16	36	2 1/2	63	3 3/8	86
2	51	1 5/8	41	3 1/8	79	4 1/4	108



**Head Office** AGM House, London Road, Copford, Colchester CO6 1GT, UK  
T: +44 (0)1206 215121 F: +44 (0)1206 215131

**Manchester Office** Unit 10 Wheel Forge Way, Ashburton Road West, Manchester, M17 1EH, UK  
T: +44 (0)161 226 4727 F: +44 (0)161 226 5848

E: [info@aquatechpressmain.co.uk](mailto:info@aquatechpressmain.co.uk) [www.aquatechpressmain.co.uk](http://www.aquatechpressmain.co.uk)

The information in this specification is correct at time of issue; as Aquatech Pressmain design and development programmes are continuous, we reserve the right to make any changes to this specification without prior notice.