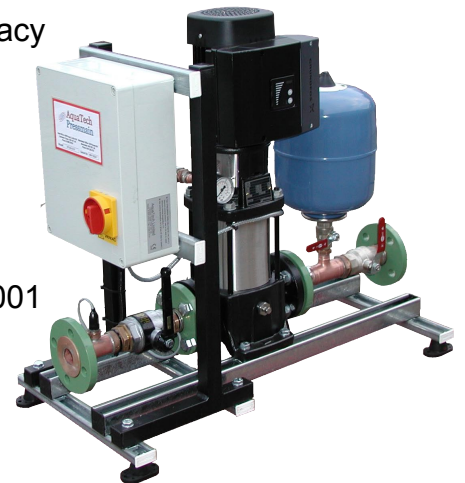


COLD WATER PRESSURE BOOSTER SETS

AQUAMATIC 'HY1AV' RANGE

- Energy Efficient Variable Speed Pumping via Inverter Motor Technology to maintain constant pressure
- Pressure Transducer Control for long term reliability and accuracy
- Single Pump Unit
- Electronic Low Water Cut-Out for pump dry running protection
- All pumps are WRc approved
- BMS Motor Fault Relay
- Built to Latest CE Requirements and in accordance with ISO9001
- Copper pipework as standard, stainless steel, galvanised and plastic options also available



GENERAL

The Aquamatic "HY1AV" range of quality assured cold water pressure booster sets is designed to increase the pressure of the cold water services within a building. The pressure is maintained at a constant level for varying flow conditions by continually varying the motor speed of the pump to match the changing demand pattern.

The pump set is assembled on a base frame with a control panel and all necessary valves and fittings to ensure ease of installation, efficient and reliable operation.

SPECIFICATION

AquaTech Pressmain "HY1AV" series Cold Water Pressure Booster Pump Set arranged for single pump with variable speed motor, control panel requiring single phase electrical supply. Complete with interconnecting wiring and all necessary valves and fittings to form suction and discharge connections. All assembled on a steel base frame.

Designed, manufactured and tested in accordance with ISO9001 quality assurance procedures, using WRAS approved components suitable for potable water specification. Compliant with all relevant European Community Directives as required by law. CE marked.

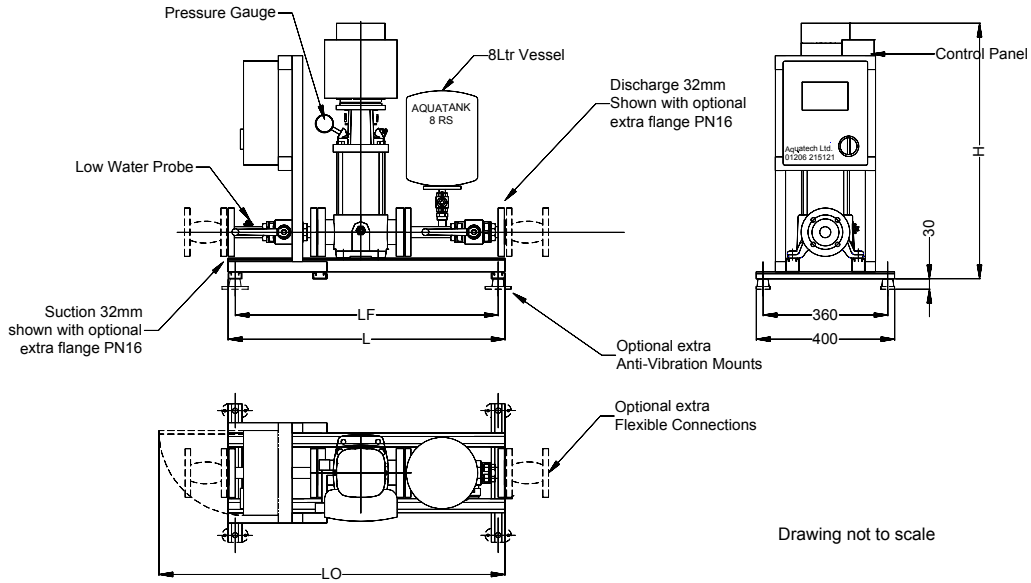
FEATURES

Automatic energy efficient variable speed pump motor control with accurate pressure measurement by transducer. Comprehensive motor protection. Electronic low water protection, control panel with interlocked door isolator, complete with all necessary terminals, labels and interconnections, enclosed in a plastic, dust and damp proof housing with lockable door to IP54.

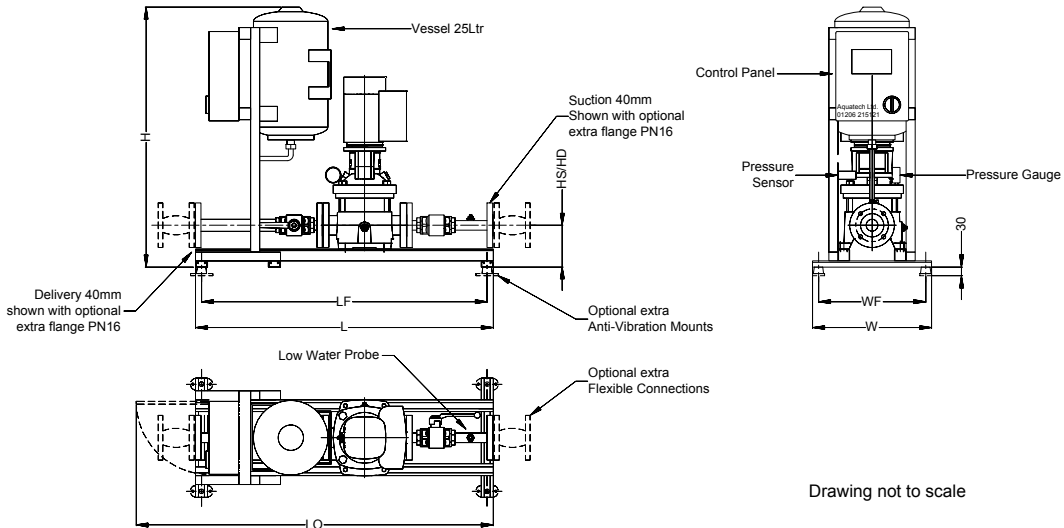
CONSTRUCTION STANDARDS FOR AQUAMATIC HY1AV RANGE			
ITEM	MODEL / SERIES	STANDARDS / CLASS	REMARKS
Vertical Multistage Pumps	1 to 10	Vertical Multistage	WRAS Approved
Mechanical Seal	Tungsten Carbide / Ceramic	DIN 24960	WRAS Approved
Pump Motors	TEFC	IP55, Class 'F' Insulation	WRAS Approved
Isolating & Non-Return Valves	Ball Valve	PTFE Ball Seat	WRAS Approved
Suction & Discharge Manifolds	Copper	BS 2871, Table X	For Potable Use
Control Cabinet	HY1AV Series	IP54, BSEN 60204 part 1, 89/336/eec:1997	CE Marked
Hydraulic Accumulator	8 - 25 Ltr (10 Bar rated)	DIN 4807, BS6144 Replaceable Diaphragm	WRAS Approved

DIMENSIONS

Pump Series 1,3,5



Pump Series 10



Aquamatic HY1AV Variable Speed																	
Pump Series	Pump Model	kw per pump	Full load current per pump 1Ph 240V amps	Wt kg	Sound level greater than 70db(A)	Hyd Acc Control Vessel litres	All Dimensions in mm unless otherwise stated										
							Base		Fixing		Overall max			Pipework			
							L	W	LF	WF	LO	WO	H	HS +/-10	Suction	Discharge	Connection
1	3	0.37	3	50	-	8	800	400	760	360	1000	420	650	135	32	32	Threaded
1	7	0.37	4.3	55	-	8	800	400	760	360	1000	420	650	135	32	32	Threaded
1	11	0.55	5.6	55	-	8	800	400	760	360	1000	420	650	135	32	32	Threaded
1	15	0.75	5.6	60	-	8	800	400	760	360	1000	420	850	135	32	32	Threaded
1	19	1.1	8.2	65	-	8	800	400	760	360	1000	420	920	135	32	32	Threaded
1	23	1.1	8.2	65	-	8	800	400	760	360	1000	420	990	135	32	32	Threaded
3	5	0.37	3	50	-	8	800	400	760	360	1000	420	650	135	32	32	Threaded
3	7	0.55	4.3	55	-	8	800	400	760	360	1000	420	650	135	32	32	Threaded
3	10	0.75	5.6	60	-	8	800	400	760	360	1000	420	760	135	32	32	Threaded
3	15	1.1	8.2	60	-	8	800	400	760	360	1000	420	850	135	32	32	Threaded
5	2	0.37	3	55	-	8	800	400	760	360	1000	420	650	135	32	32	Threaded
5	4	0.75	5.6	55	-	8	800	400	760	360	1000	420	650	135	32	32	Threaded
5	8	1.1	8.2	60	-	8	800	400	760	360	1000	420	790	135	32	32	Threaded
10	1	0.37	3	80	-	25	1000	400	960	360	1200	420	915	140	40	40	Threaded
10	2	0.75	5.6	80	-	25	1000	400	960	360	1200	420	915	140	40	40	Threaded
10	3	1.1	8.2	90	-	25	1000	400	960	360	1200	420	915	140	40	40	Threaded

The Information in this specification is correct at time of issue; as AquaTech Pressmain design and development programmes are continuous, we reserve the right to make any changes to this specification without prior notice.