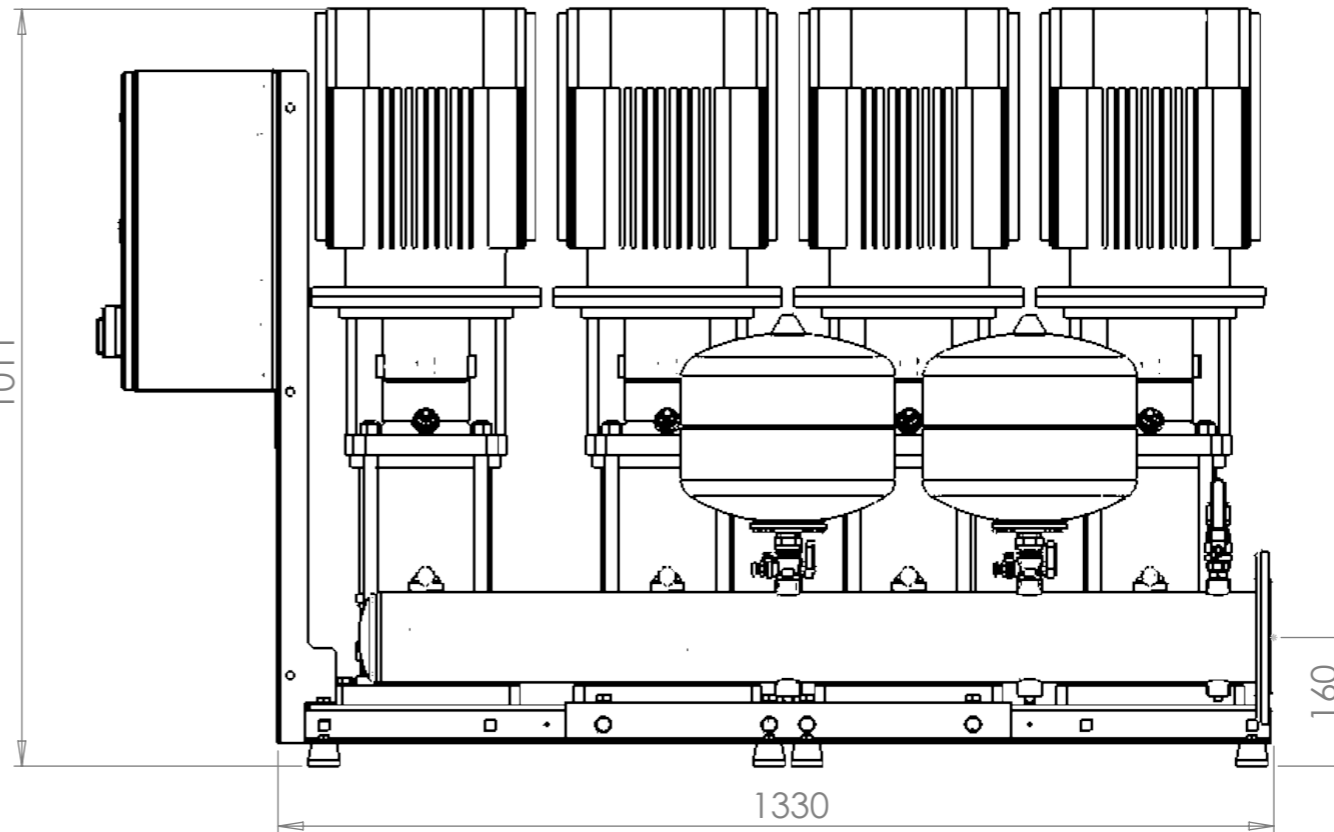
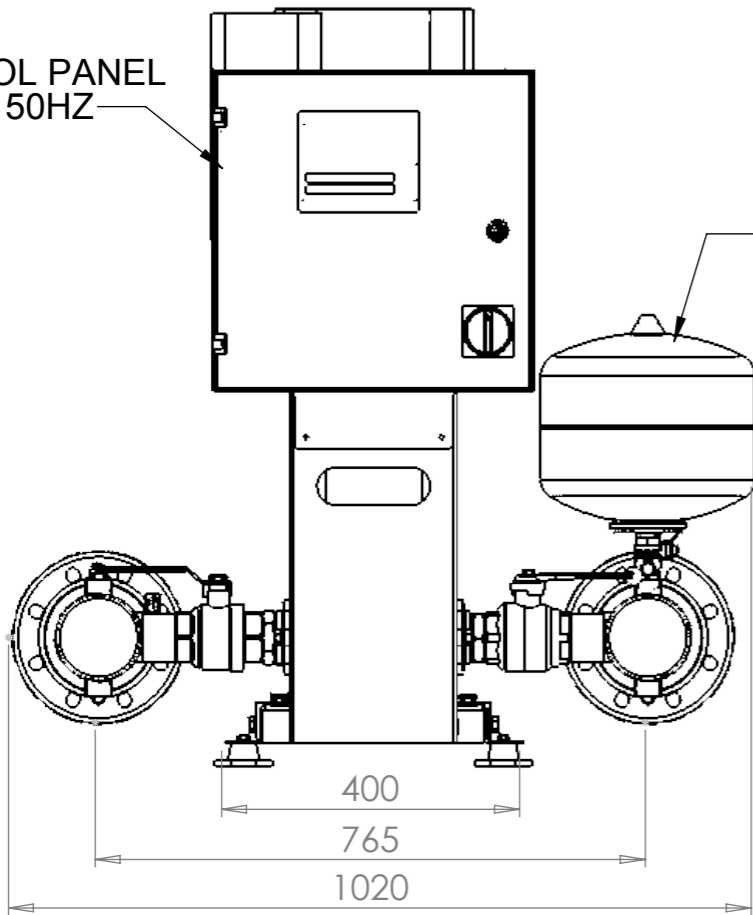


CONTROL PANEL
415VAC 50HZ

12 LTR CONTROL
VESSELS 2 OFF



UNLESS OTHERWISE SPECIFIED:
DIMENSIONS ARE IN MILLIMETERS
GENERAL TOLERANCE +/-10
THIS DRAWING IS COPYRIGHT OF
AQUATECH PRESSMAIN AND SHOULD
NOT BE REPRODUCED WITHOUT
WRITTEN PERMISSION



DO NOT SCALE DRAWING

Head Office: AGM House, London Road,
Copford, Colchester, Essex, CO6 1GT, UK
Phone: +44 (0)1206 215121 Fax: 215131
Web: www.aquatechpressmain.co.uk
Email: info@aquatechpressmain.co.uk

SCALE: 1:10 A3	Mod Rev: 00	WEIGHT: 460.35 kg
	Dwg Rev: 01	Status: Approved

REV.	AUTHOR	REVISIONS DESCRIPTION	DATE
00	RB	FIRST CHECK IN	12/02/2016
01	RWW	APPROVED	12/02/2016

TITLE:
AMV4-FE-24-4 3PH 415V

DWG NO.
BWJ-442004