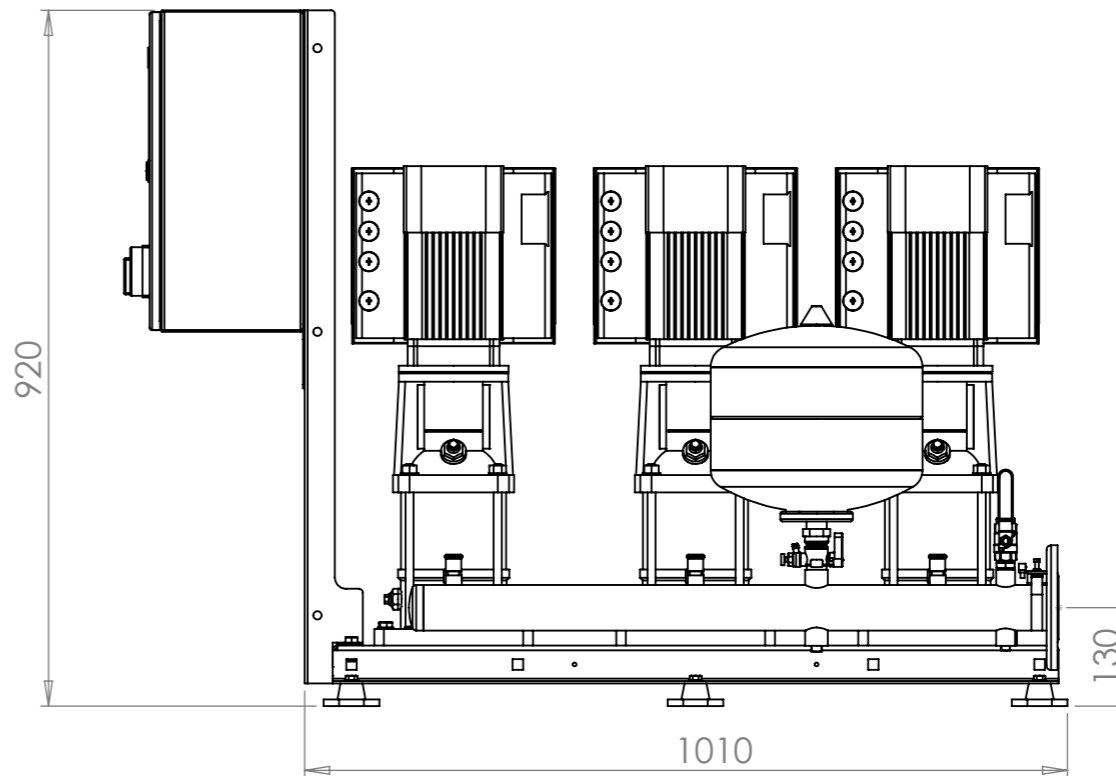
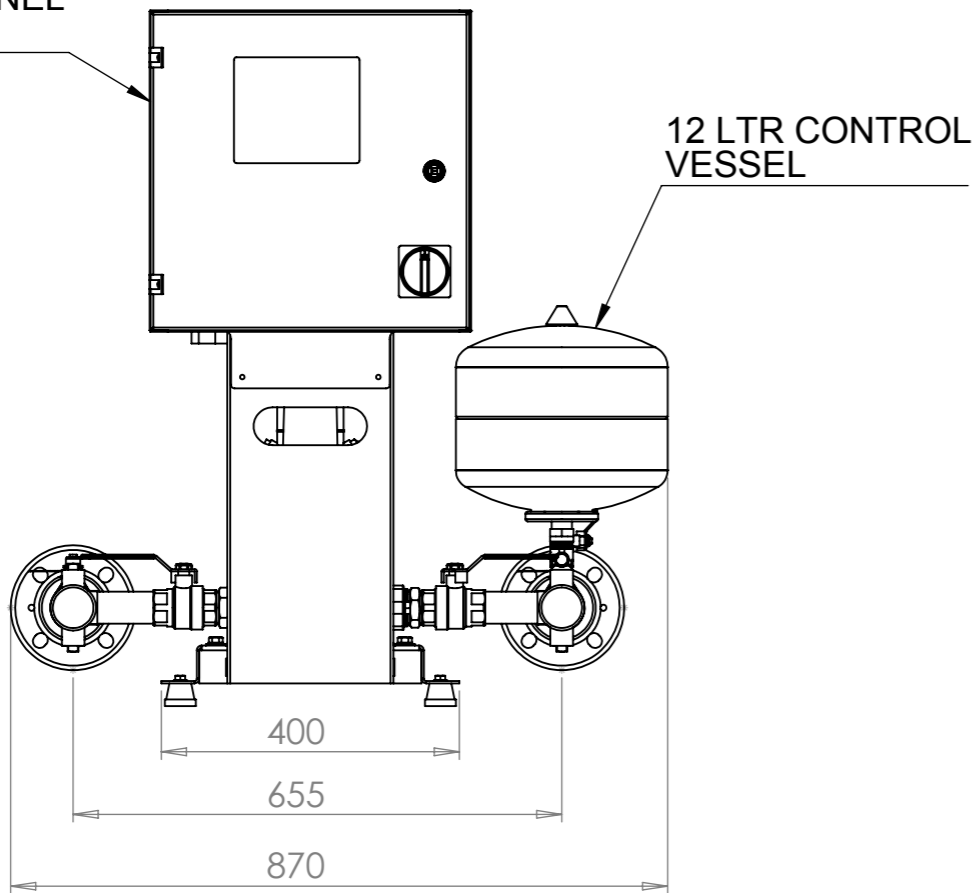


CONTROL PANEL
415VAC 50HZ



UNLESS OTHERWISE SPECIFIED:
DIMENSIONS ARE IN MILLIMETERS
GENERAL TOLERANCE +/-10
THIS DRAWING IS COPYRIGHT OF
AQUATECH PRESSMAIN AND SHOULD
NOT BE REPRODUCED WITHOUT
WRITTEN PERMISSION

SCALE:	Mod Rev:	WEIGHT:
1:10 A3	03	198.63 kg
	Dwg Rev:	Status:
	02	Approved

DWG NO.
BWJ-340505 SALES



DO NOT SCALE DRAWING

Head Office: AGM House, London Road,
Copford, Colchester, Essex, CO6 1GT, UK
Phone: +44 (0)1206 215121 Fax: 215131
Web: www.aquatechpressmain.co.uk
Email: info@aquatechpressmain.co.uk

TITLE:

AMV3-6-5-F 3PH 415V

REV.	AUTHOR	REVISIONS DESCRIPTION	DATE
00	RB	FIRST CHECK IN	14/05/2015
01	RB	PIPEWORK NOTES ADDED	14/05/2015
02	RWW	APPROVED	28/05/2015