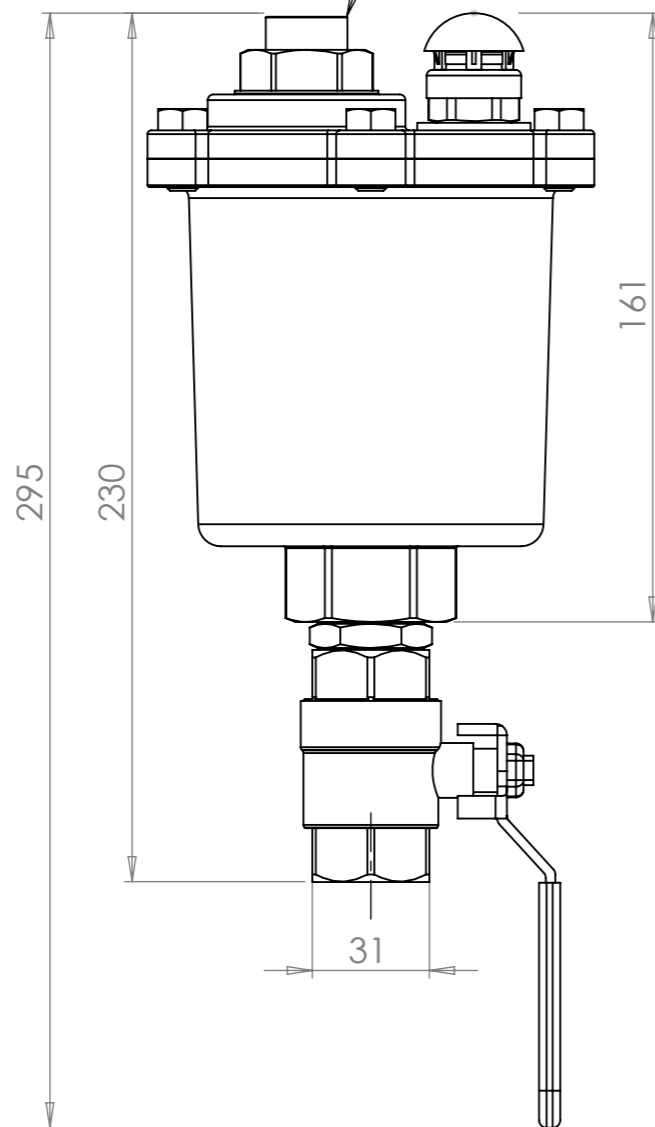
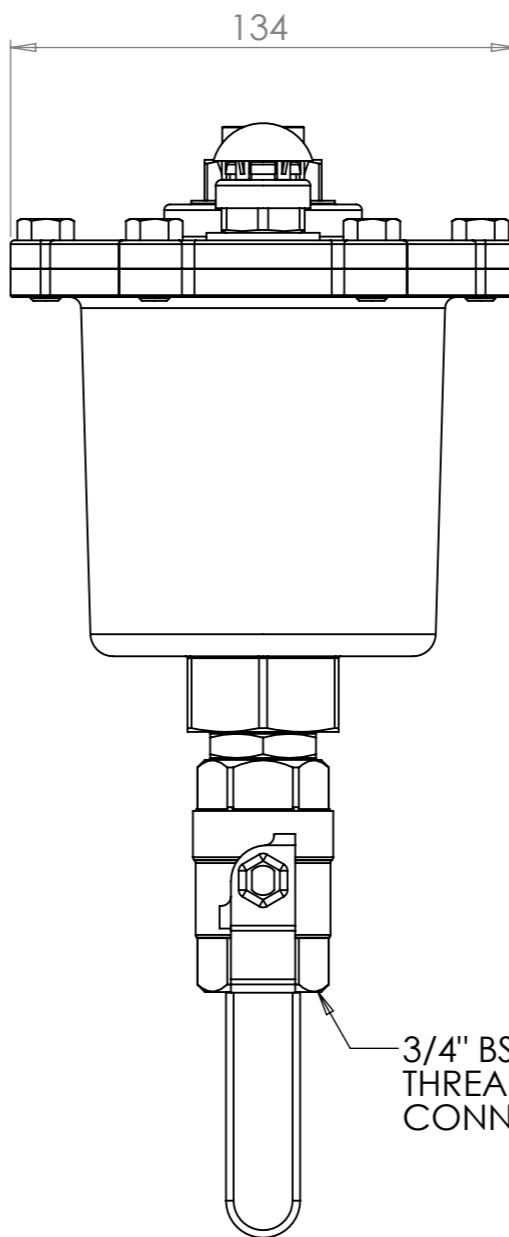


ISOMETRIC VIEW

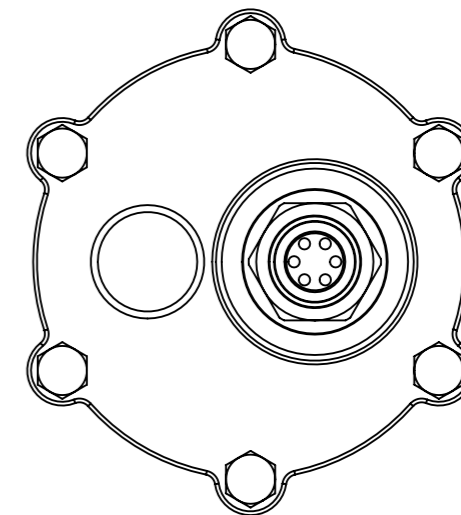
3/8" FEMALE EXHAUST CONNECTION,
MUST DISCHARGED TO DRAIN VIA A
SUITABLE AIR GAP. E.g. A TUNDISH.



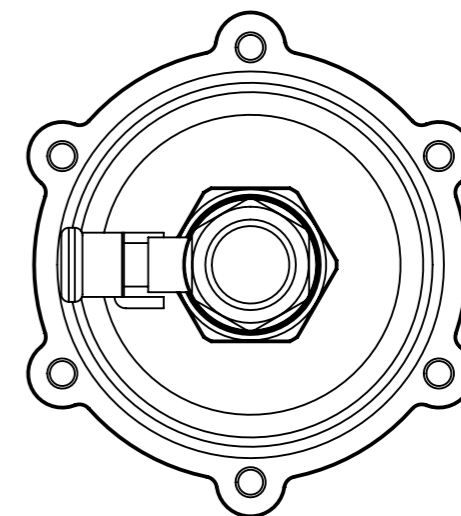
R/H SIDE VIEW



FRONT VIEW



TOP VIEW



BOTTOM VIEW

NOTE:

- AQUAVENT MUST BE INSTALLED VERTICALLY AS SHOW IN DIAGRAM.
- FOR INSTALLATION INSTRUCTIONS REFER TO USER MANUAL.
- MAXIMUM OPERATING PRESSURE 6.0Bar.

UNLESS OTHERWISE SPECIFIED:
DIMENSIONS ARE IN MILLIMETERS
GENERAL TOLERANCE +/-10
THIS DRAWING IS COPYRIGHT OF
AQUATECH PRESSMAIN AND SHOULD
NOT BE REPRODUCED WITHOUT
WRITTEN PERMISSION



DO NOT SCALE DRAWING

Head Office: AGM House, London Road,
Copford, Colchester, Essex, CO6 1GT, UK
Phone: +44 (0)1206 215121 Fax: 215131
Web: www.aquatechpressmain.co.uk
Email: info@aquatechpressmain.co.uk

SCALE:
1:2 A3

Mod Rev: 02
Dwg Rev: 03
WEIGHT: 3.41 kg
Status: Approved

TITLE:
3/4in AQUAVENT AUTO AIR VENT + VACUUM BREAK

DWG NO.
HAA-100600S

REVISIONS

NO.	BY	DESCRIPTION	DATE
00	RB	FIRST CHECK IN	20/05/2016
01	RWW	APPROVED	20/05/2016