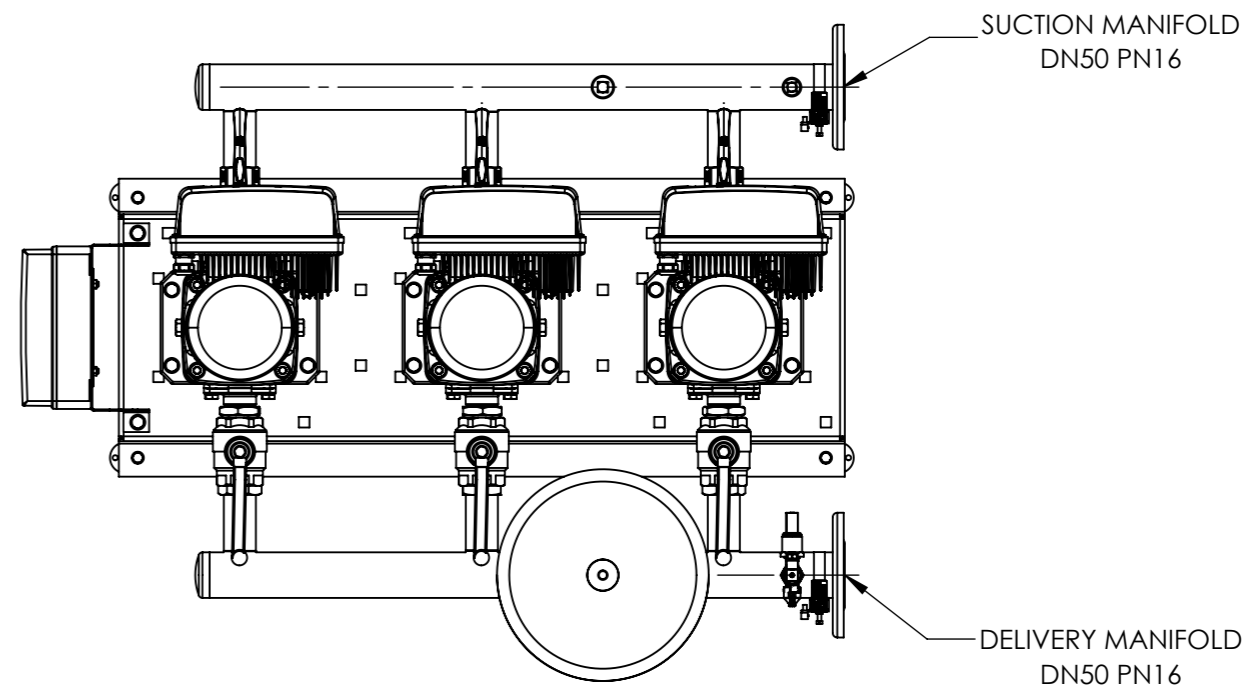


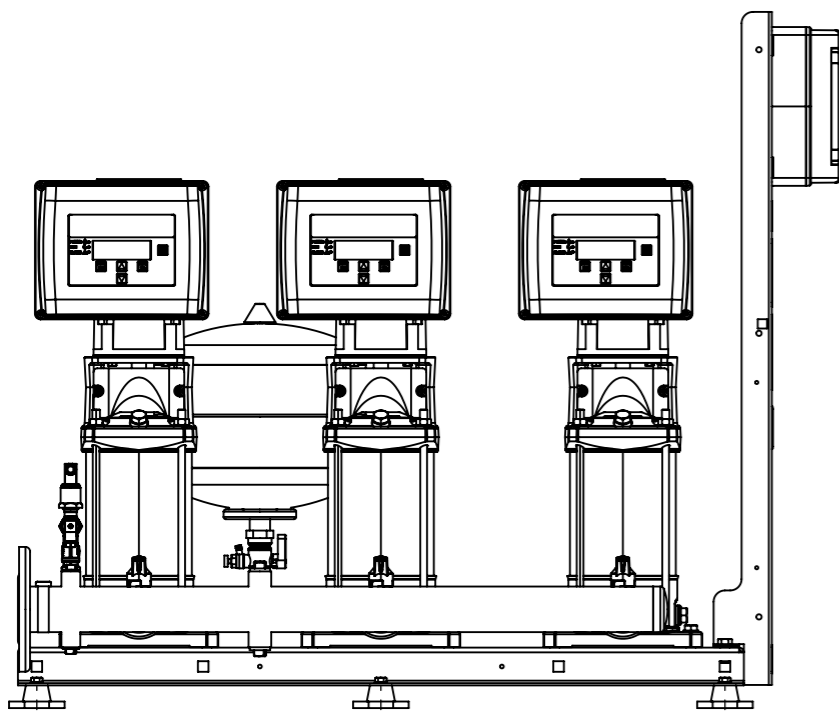
CONTROL PANEL
230VAC 1PH 50HZ



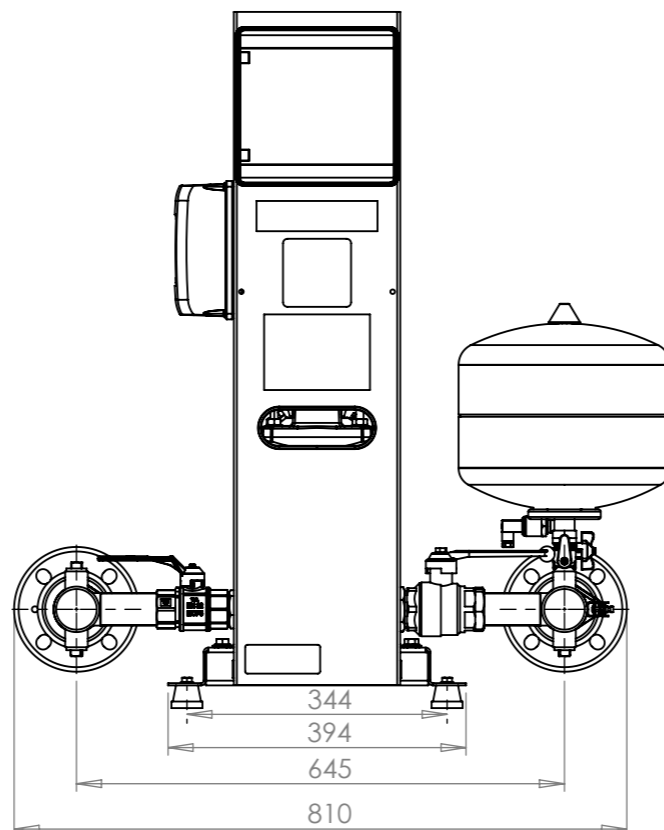
ISOMETRIC VIEW



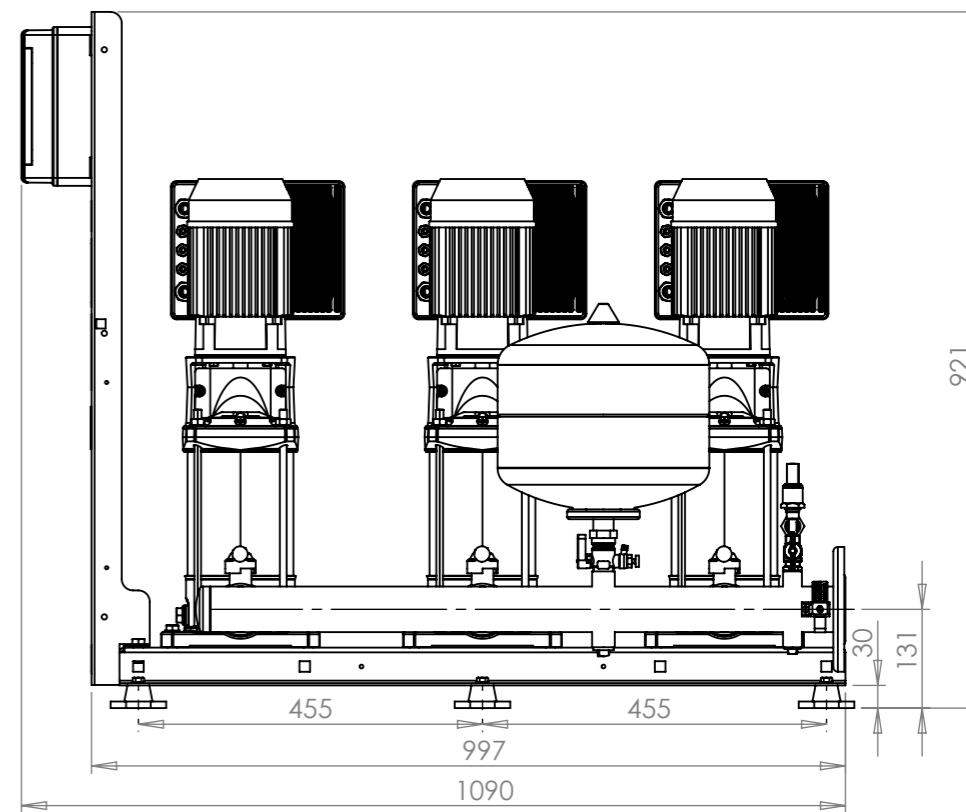
PLAN VIEW



LEFT VIEW



FRONT VIEW



RIGHT VIEW

REVISIONS

ZONE	REV.	DESCRIPTION	APPROVED	DATE
	01	APPROVED	RWW	27-03-2019
	02	Description Updated	SAS	23-10-2019

UNLESS OTHERWISE SPECIFIED:
DIMENSIONS ARE IN MILLIMETERS
GENERAL TOLERANCE +/-10
THIS DRAWING IS COPYRIGHT OF AQUATECH PRESSMAIN AND SHOULD NOT BE REPRODUCED WITHOUT WRITTEN PERMISSION



TITLE: AMV3-FB-3-8 E-SPEED 1PH 230VAC

DO NOT SCALE DRAWING

Head Office: AGM House, London Road, Copford, Colchester, Essex, CO6 1GT, UK
Phone: +44 (0)1206 215121 Fax: 215131
Web: www.aquatechpressmain.co.uk
Email: info@aquatechpressmain.co.uk

Drawn By:RWW	Date Drawn:26/03/2019
Scale: 1:10 A3	Mod Rev: 01 Dwg Rev: 02
DWG NO. BWN-320308	Weight: 115.91kg Status: Approved