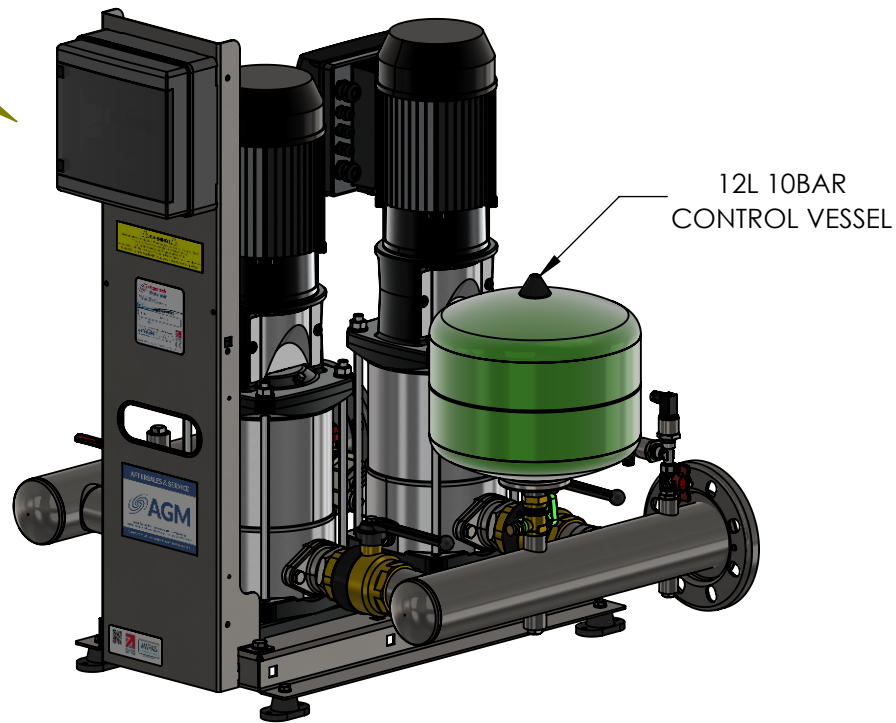
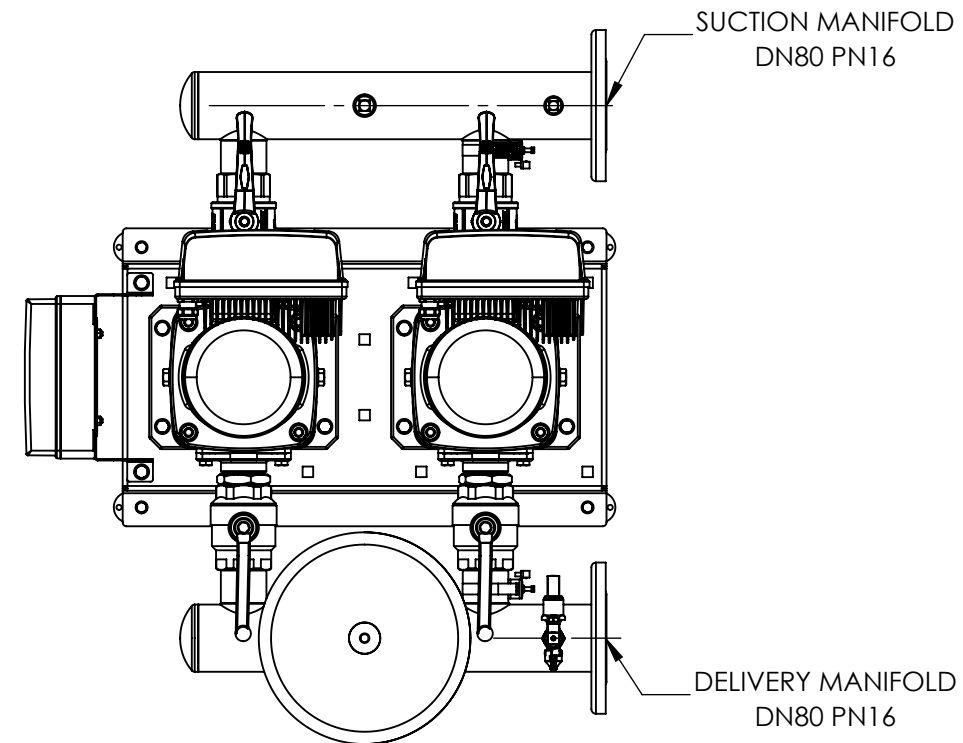


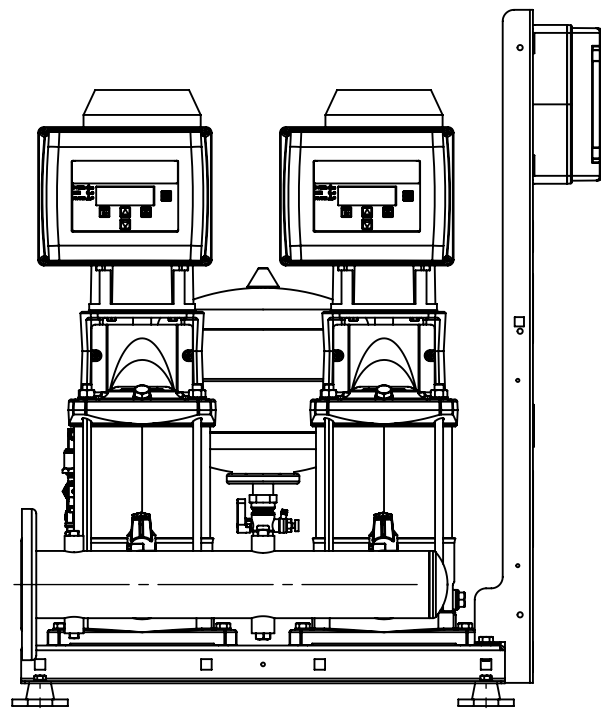
CONTROL PANEL
415VAC 3PH 50HZ



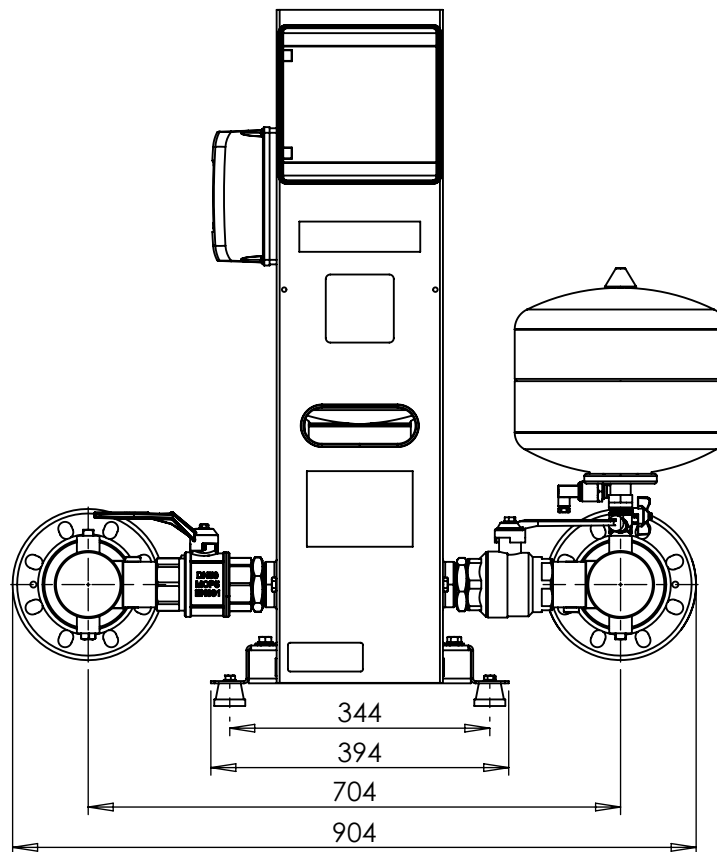
ISOMETRIC VIEW



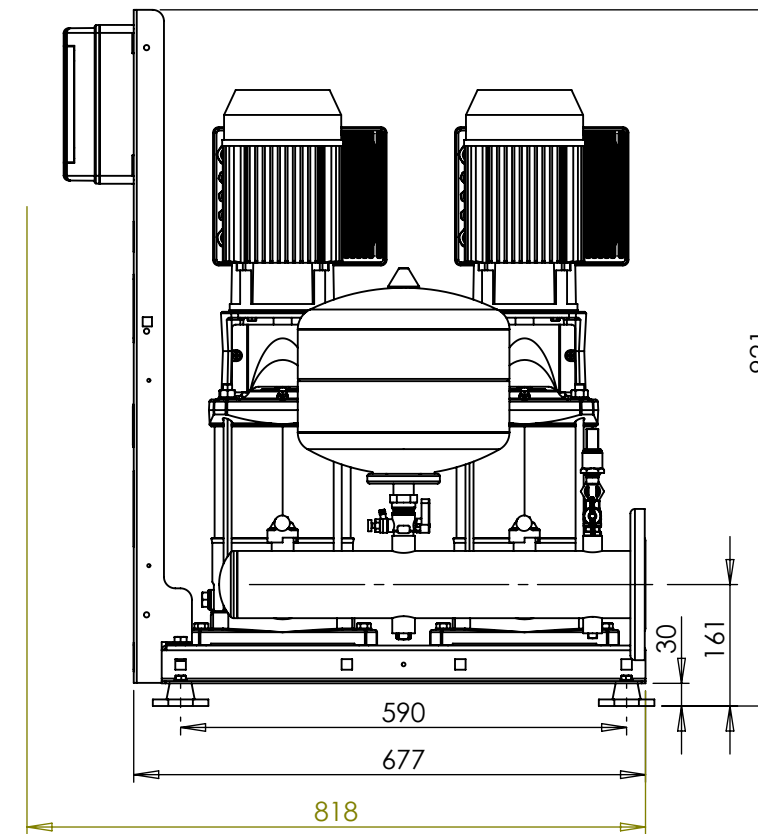
PLAN VIEW



LEFT VIEW



RIGHT VIEW



RIGHT VIEW

REVISIONS				
ZONE	REV.	DESCRIPTION	APPROVED	DATE
	01	APPROVED	RWW	22-03-2019

UNLESS OTHERWISE SPECIFIED:
DIMENSIONS ARE IN MILLIMETERS
GENERAL TOLERANCE +/-10
THIS DRAWING IS COPYRIGHT OF AQUATECH PRESSMAIN AND SHOULD NOT BE REPRODUCED WITHOUT WRITTEN PERMISSION



TITLE: AMV2-FB-10-5 E-SPEED 3PH 415VAC

DO NOT SCALE DRAWING

Head Office: AGM House, London Road, Copford, Colchester, Essex, CO6 1GT, UK
Phone: +44 (0)1206 215121 Fax: 215131
Web: www.aquatechpressmain.co.uk
Email: info@aquatechpressmain.co.uk

Drawn By:RWW	Date Drawn:21/3/19
Scale: 1:10 A3	Mod Rev: 0
DWG NO. BWN-241005	Dwg Rev: 01
	Weight: 63.16kg
	Status: Approved