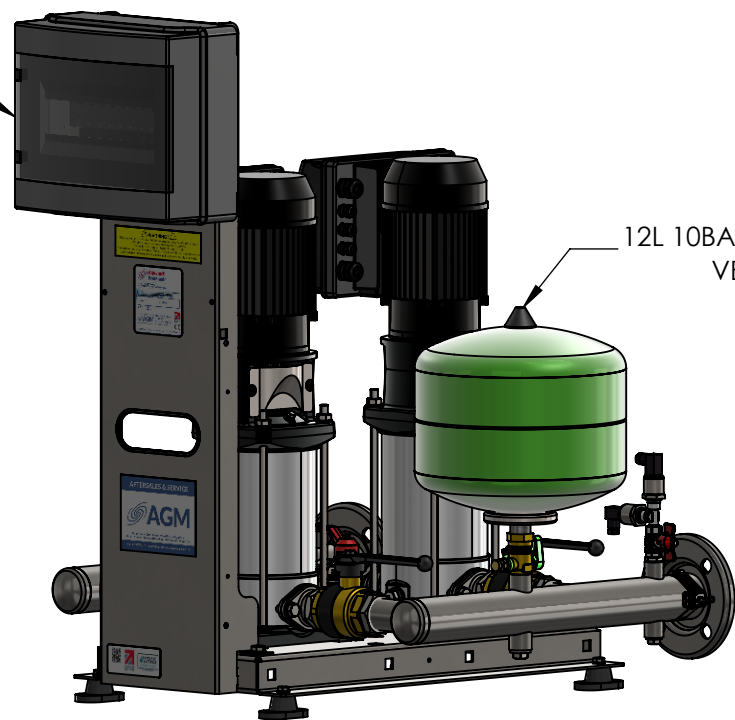
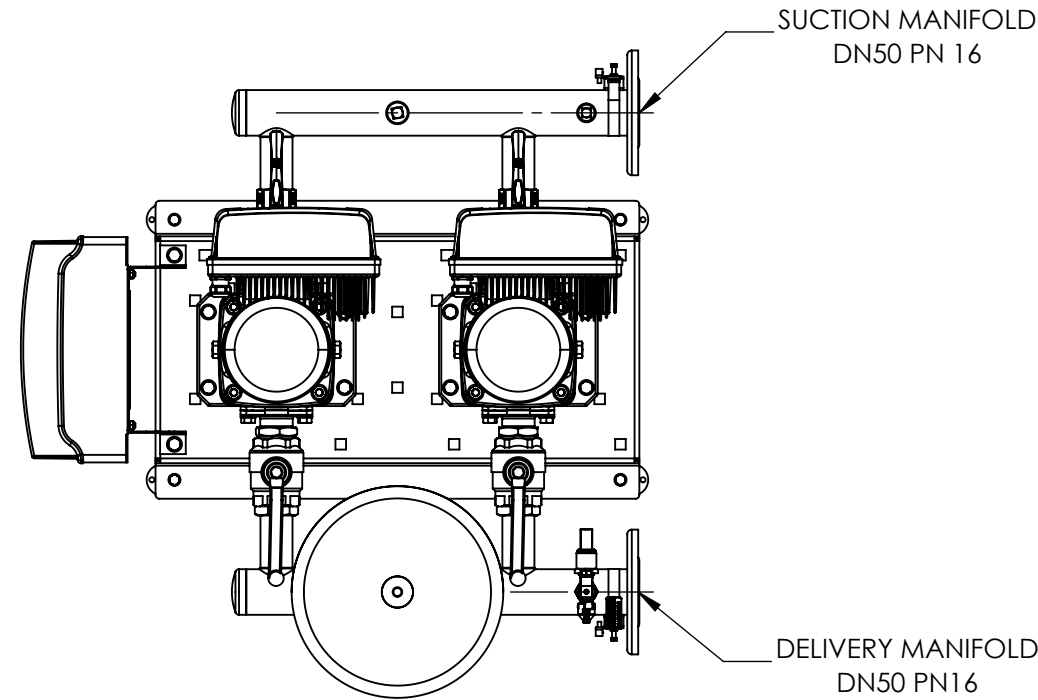


CONTROL PANEL  
415VAC 3PH 50HZ



12L 10BAR CONTROL  
VESSEL

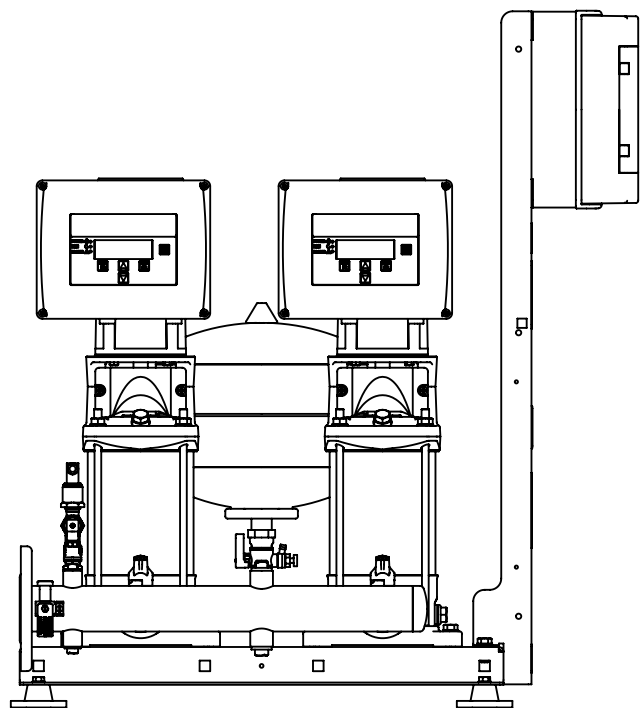
ISOMETRIC VIEW



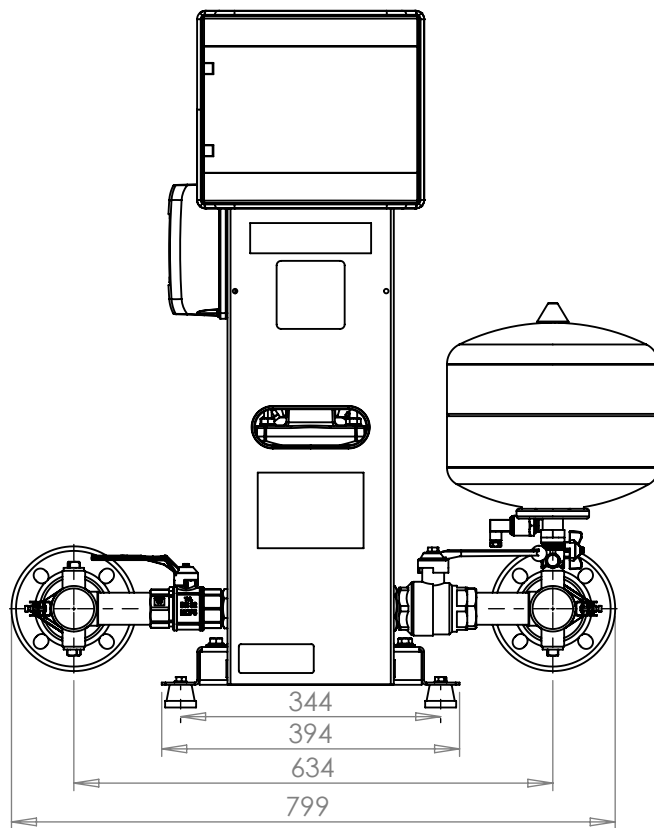
SUCTION MANIFOLD  
DN50 PN 16

DELIVERY MANIFOLD  
DN50 PN16

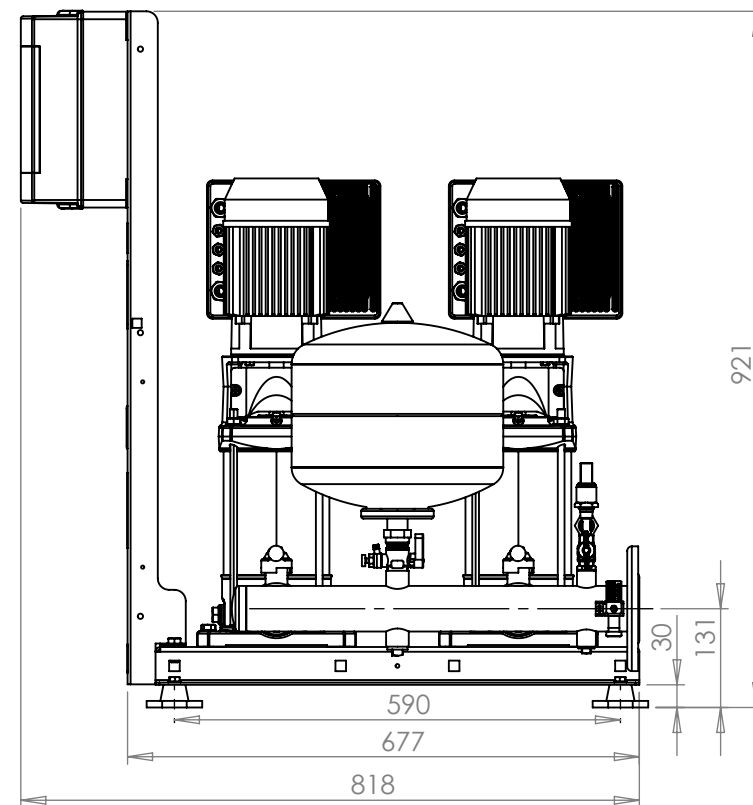
PLAN VIEW



LEFT VIEW



FRONT VIEW



RIGHT VIEW

REVISIONS				
ZONE	REV.	DESCRIPTION	APPROVED	DATE
	01	APPROVED	RWW	22-03-2019
	02	Left View Added	SAS	23-10-2019

UNLESS OTHERWISE SPECIFIED:  
DIMENSIONS ARE IN MILLIMETERS  
GENERAL TOLERANCE +/-10  
THIS DRAWING IS COPYRIGHT OF AQUATECH PRESSMAIN AND SHOULD NOT BE REPRODUCED WITHOUT WRITTEN PERMISSION



TITLE:  
**AMV2-FB-3-8 E-SPEED 3PH 415VAC**

**DO NOT SCALE DRAWING**

Head Office: AGM House, London Road,  
Copford, Colchester, Essex, CO6 1GT, UK  
Phone: +44 (0)1206 215121 Fax: 215131  
Web: www.aquatechpressmain.co.uk  
Email: info@aquatechpressmain.co.uk

Drawn By:RWW	Date Drawn:21/03/2019
<b>Scale:</b> 1:10 A3	Mod Rev: 0 Dwg Rev: 02
DWG NO.	Weight: 81.72kg Status: Approved

**BWN-240308**