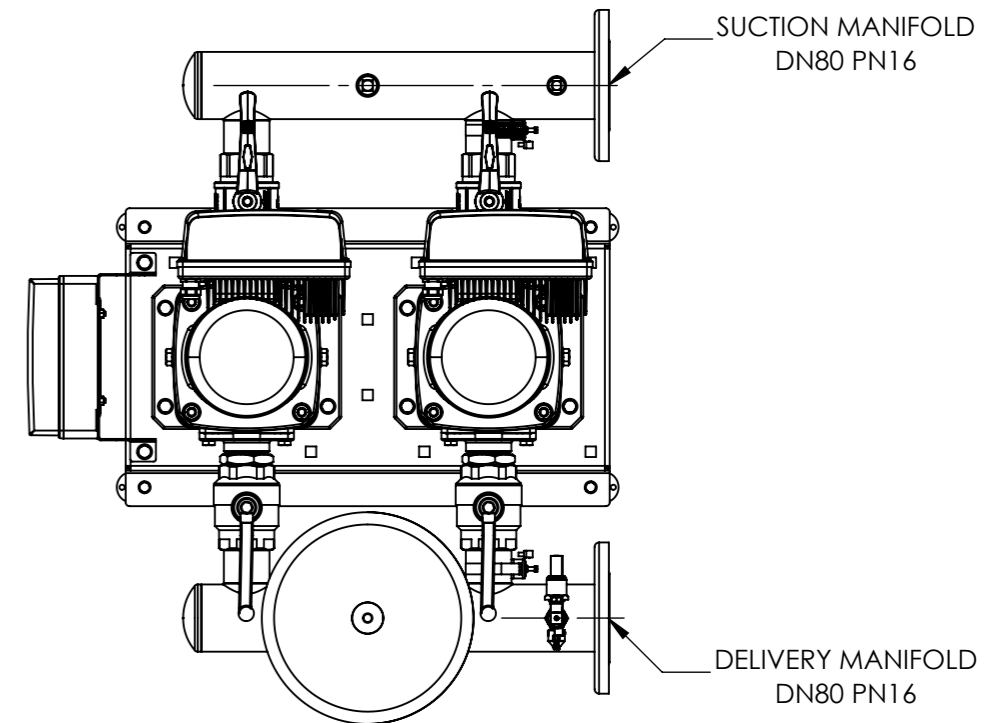
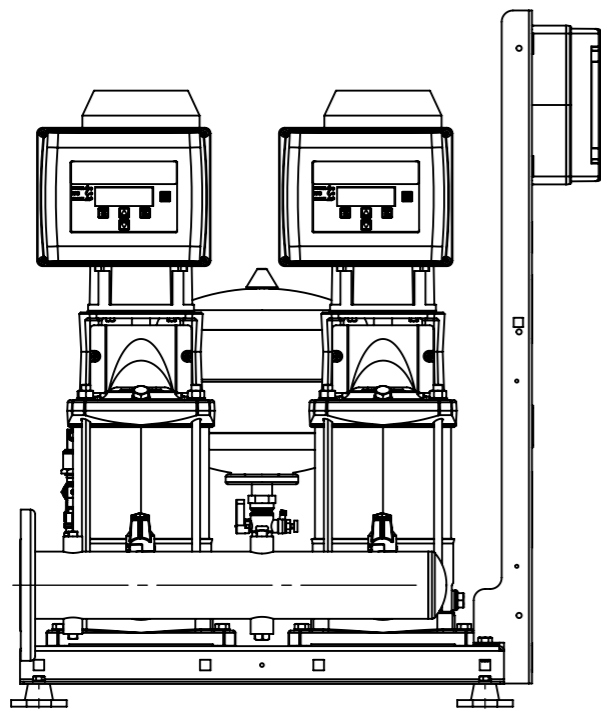


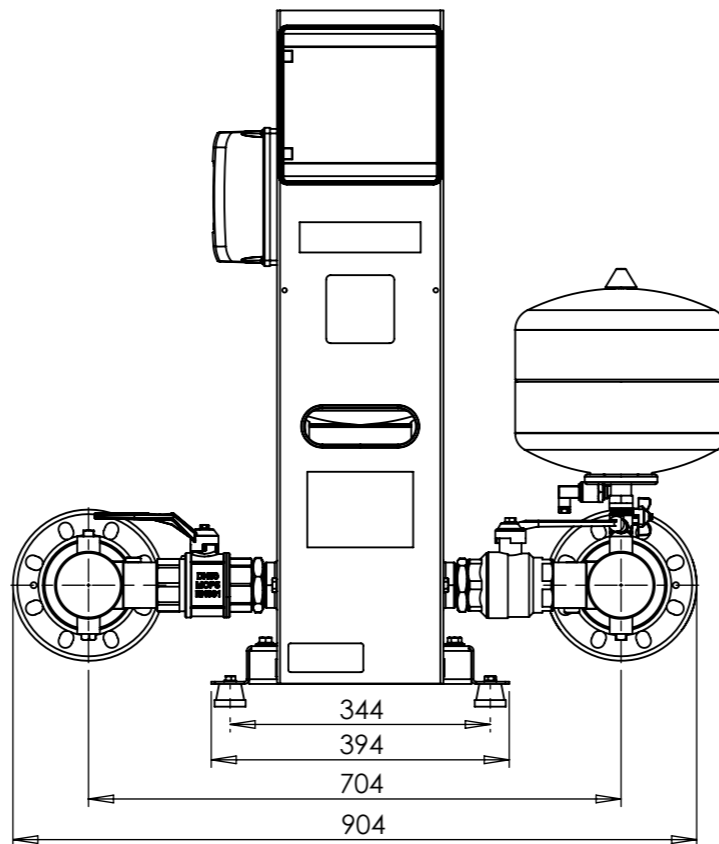
ISOMETRIC VIEW



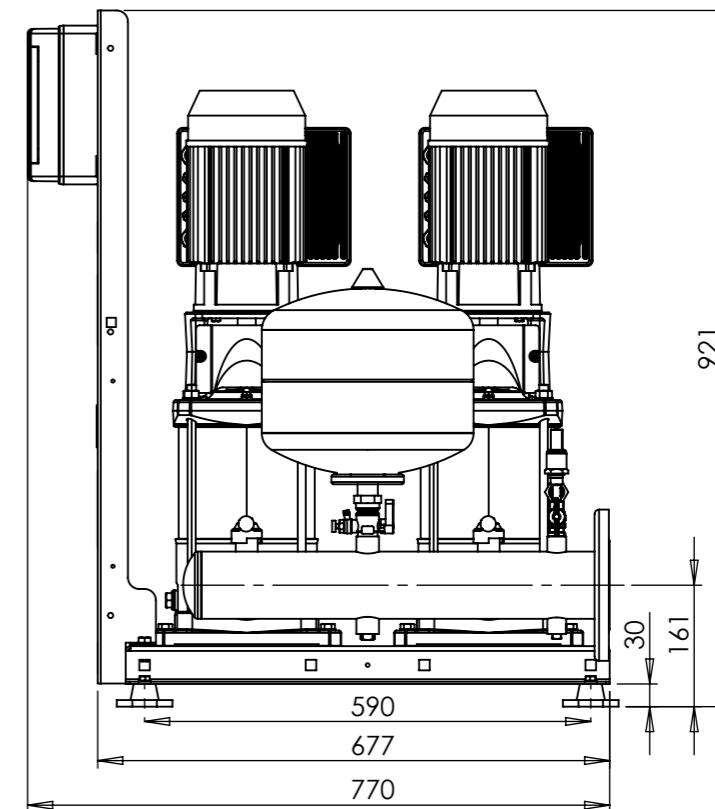
PLAN VIEW



LEFT VIEW



FRONT VIEW



RIGHT VIEW

REVISIONS				
ZONE	REV.	DESCRIPTION	APPROVED	DATE
	01	APPROVED	RWW	22-03-2019

UNLESS OTHERWISE SPECIFIED:
 DIMENSIONS ARE IN MILLIMETERS
 GENERAL TOLERANCE +/-10
 THIS DRAWING IS COPYRIGHT OF AQUATECH PRESSMAIN AND SHOULD NOT BE REPRODUCED WITHOUT WRITTEN PERMISSION



TITLE: AMV2-FB-10-5 E-SPEED 1PH 230VAC

DO NOT SCALE DRAWING

Head Office: AGM House, London Road, Copford, Colchester, Essex, CO6 1GT, UK
 Phone: +44 (0)1206 215121 Fax: 215131
 Web: www.aquatechpressmain.co.uk
 Email: info@aquatechpressmain.co.uk

Drawn By:RWW	Date Drawn:20/3/19
Scale: 1:10 A3	Mod Rev: 0 Dwg Rev: 01
DWG NO. BWN-221005	Weight: 63.16kg Status: Approved