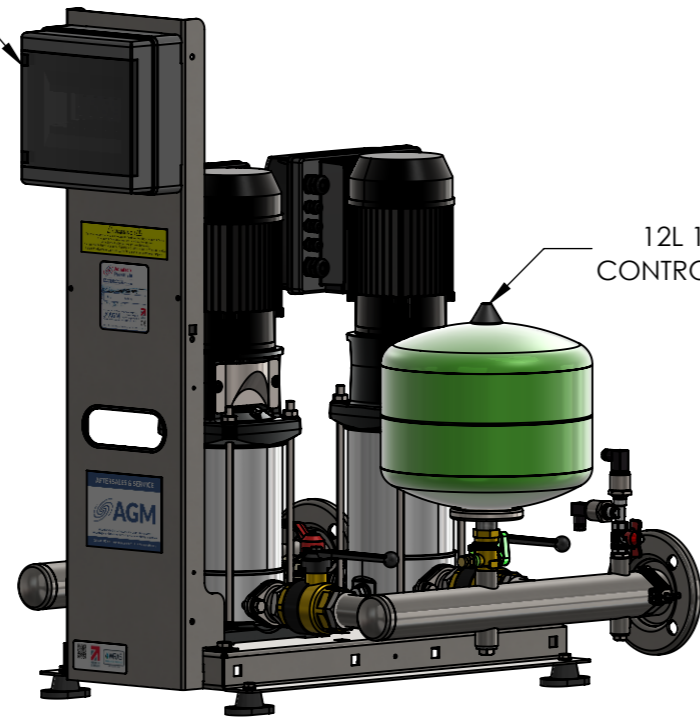
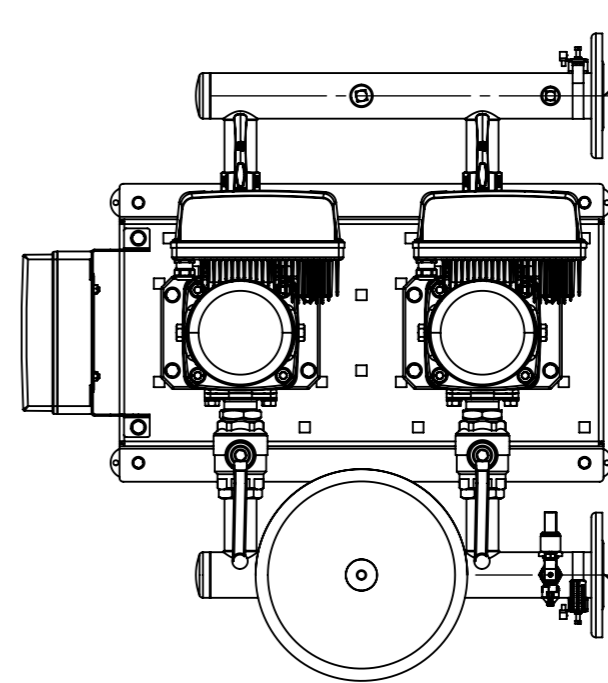


CONTROL PANEL
230VAC 1PH 50HZ



12L 10BAR
CONTROL VESSEL

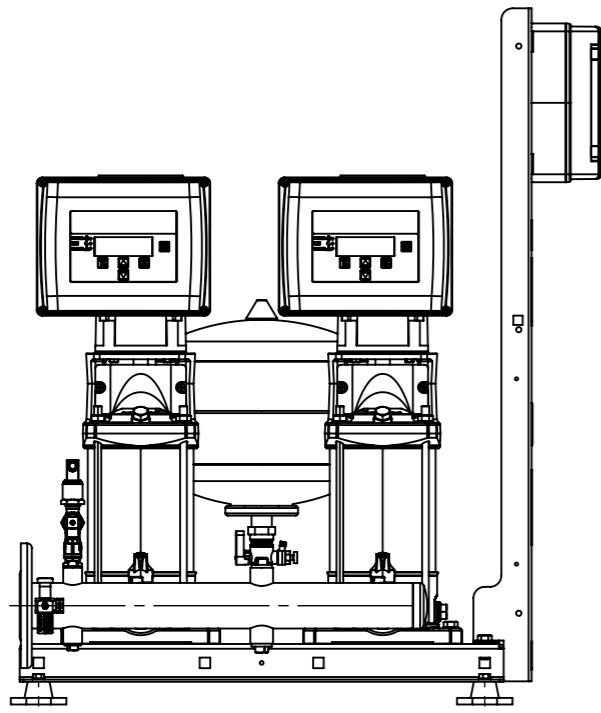
ISOMETRIC VIEW



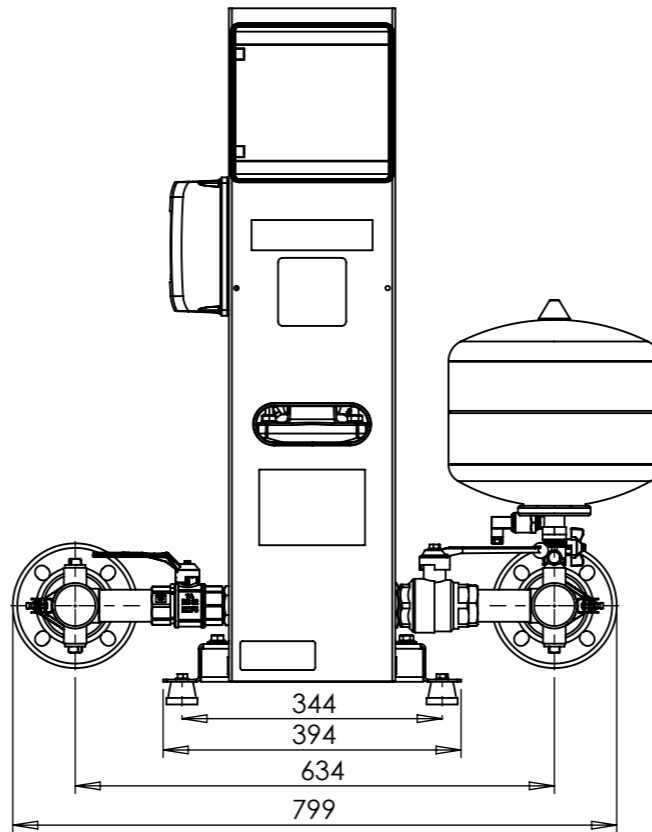
SUCTION MANIFOLD
DN50 PN16

DELIVERY MANIFOLD
DN50 PN16

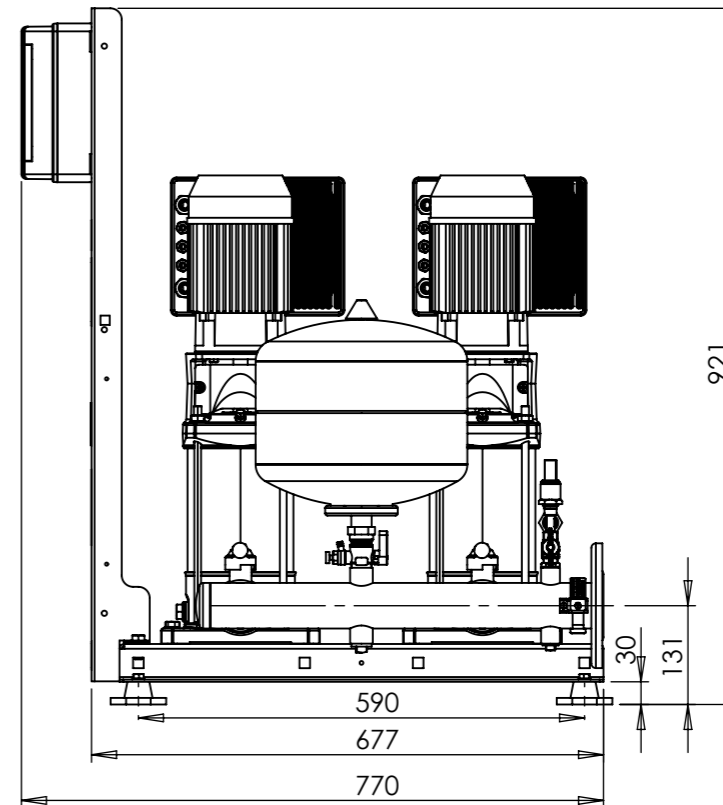
PLAN VIEW



LEFT VIEW



FRONT VIEW



RIGHT VIEW

REVISIONS				
ZONE	REV.	DESCRIPTION	APPROVED	DATE
	01	APPROVED	RWW	22-03-2019

UNLESS OTHERWISE SPECIFIED:
DIMENSIONS ARE IN MILLIMETERS
GENERAL TOLERANCE +/-10
THIS DRAWING IS COPYRIGHT OF AQUATECH PRESSMAIN AND SHOULD NOT BE REPRODUCED WITHOUT WRITTEN PERMISSION



TITLE:
AMV2-FB-3-8 E-SPEED 1PH 230VAC

DO NOT SCALE DRAWING

Head Office: AGM House, London Road,
Copford, Colchester, Essex, CO6 1GT, UK
Phone: +44 (0)1206 215121 Fax: 215131
Web: www.aquatechpressmain.co.uk
Email: info@aquatechpressmain.co.uk

Drawn By:RWW	Date Drawn:20/3/19
Scale: 1:10 A3	Mod Rev: 0
Dwg Rev: 01	Weight: 80.96kg
DWG NO. BWN-220308	Status: Approved