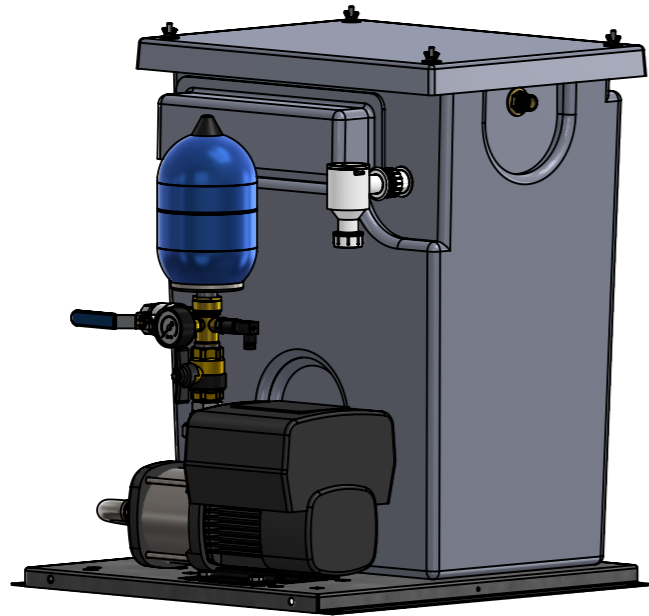
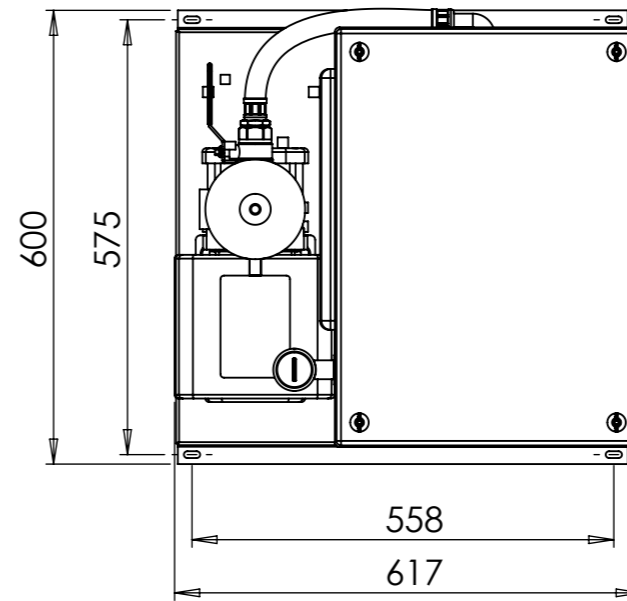


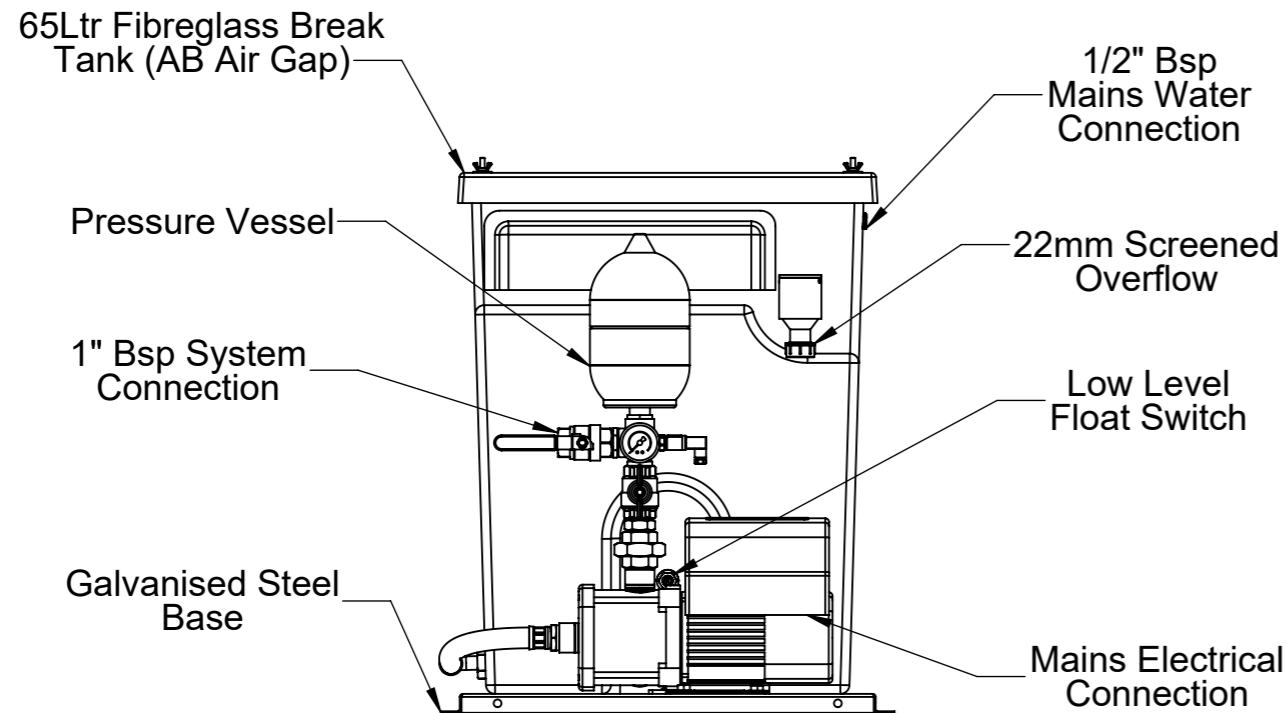
NOTE:  
ALLOW 500mm CLEARANCE ALL ROUND AND  
OVER TOP FOR MAINTENANCE



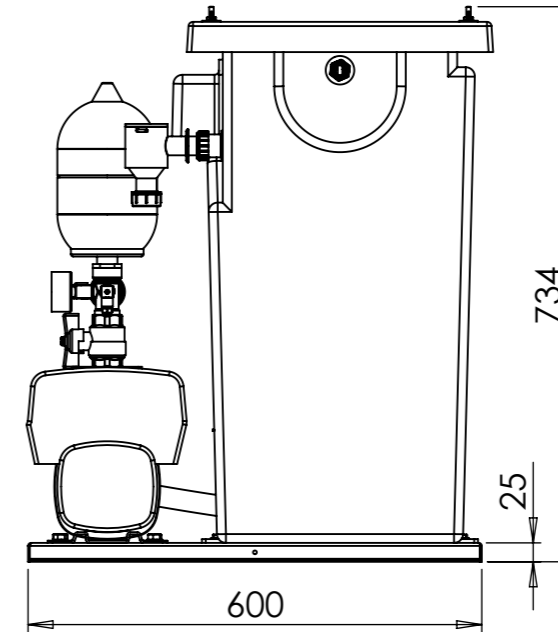
ISOMETRIC VIEW



PLAN VIEW



FRONT VIEW



RIGHT VIEW

REVISIONS			
REV.	DESCRIPTION	APPROVED	DATE
04	DRAWING UPDATED	RWW	22/7/19
05	TANK DETAIL UPDATED.	RWW	22-07-2019

UNLESS OTHERWISE SPECIFIED:  
DIMENSIONS ARE IN MILLIMETERS  
GENERAL TOLERANCE +/-10  
THIS DRAWING IS COPYRIGHT OF AQUATECH PRESSMAIN AND SHOULD NOT BE REPRODUCED WITHOUT WRITTEN PERMISSION



TITLE:

MC5-VS-3-5-APT65

DO NOT SCALE DRAWING

Head Office: AGM House, London Road, Copford, Colchester, Essex, CO6 1GT, UK  
Phone: +44 (0)1206 215121 Fax: 215131  
Web: www.aquatechpressmain.co.uk  
Email: info@aquatechpressmain.co.uk

Drawn By:Raymond ward

Date Drawn:9/12/16

Scale:  
1:10 A3

Mod Rev:  
04  
Dwg Rev:  
05

Weight:  
58.36 Kg  
Status:  
Approved

DWG NO.

BRH-221305S