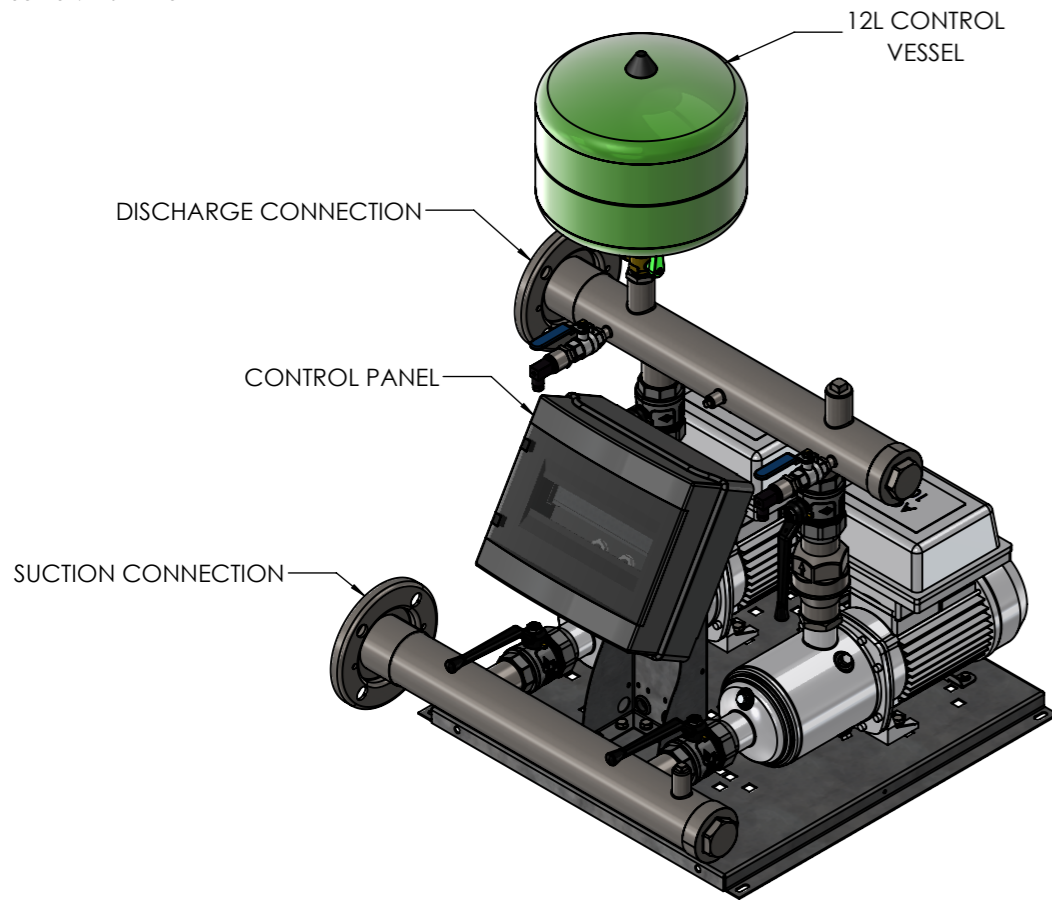
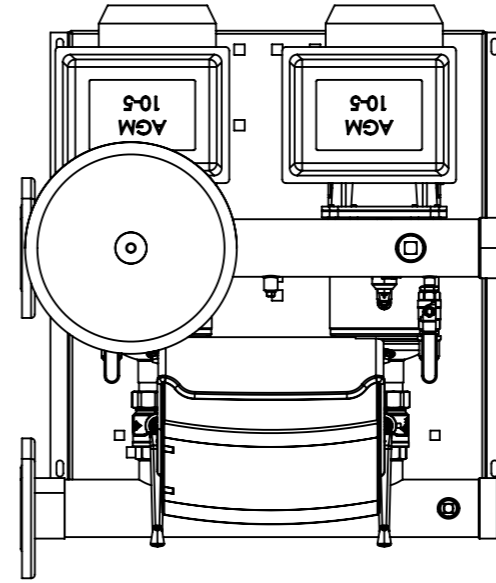


Micromatic 'HM2AV' Variable Speed Flow-Through Cold Water Booster

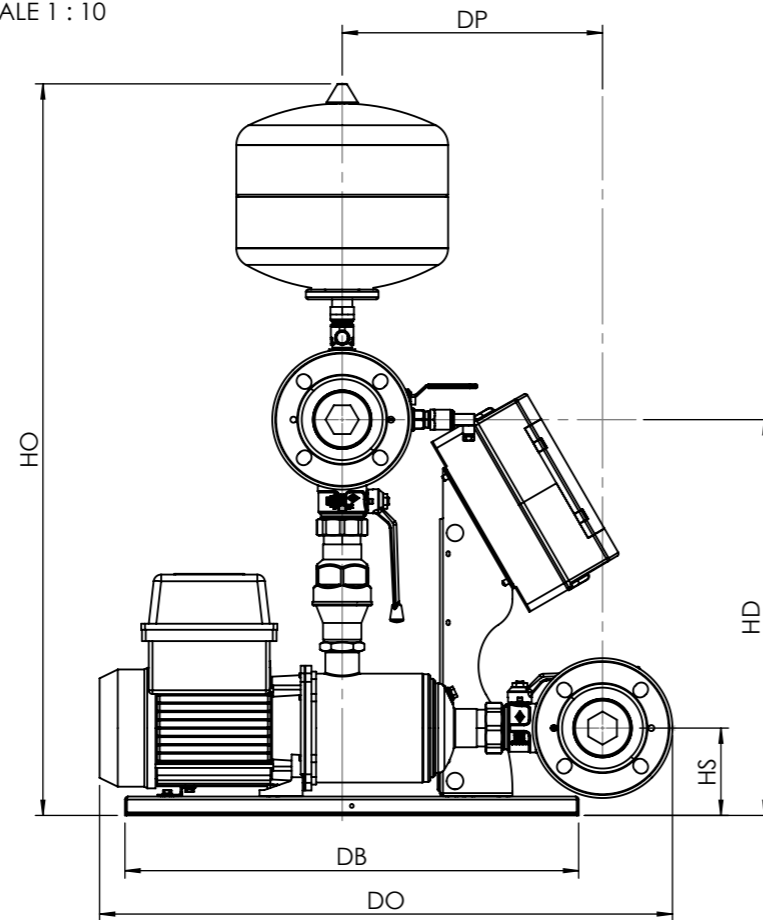
Pump Type	kW per Pump	Volts/ Phases/Hz	Electical Supply Current (Amps)	Approx Dry Weight of Unit [kg]	Sound Level per Pump dB(A)	Booster Set Dimensions [±10mm]								Connection Size Flanged PN16	Vessel	Stockcode
						WB	DB	WO	DO	HO	HS	HD	DP			
3-5	0.75	230/1/50	25	0	62	600	600	616	670	849	116	421	312	DN40	1x 12 Ltr	BMV-220305
3-5	0.75	400/3/50	20	60	62	600	600	616	670	849	116	421	312	DN40	1x 12 Ltr	BMV-240305
5-5	1.3	230/1/50	25	0	64	600	600	613	696	861	116	427	297	DN50	1x 12 Ltr	BMV-220505
5-5	1.3	400/3/50	20	67	64	600	600	613	696	861	116	427	297	DN50	1x 12 Ltr	BMV-240505
10-5	2.2	230/1/50	40	0	65	600	600	644	758	967	116	523	344	DN65	1x 12 Ltr	BMV-221005
10-5	2.2	400/3/50	20	79	65	600	600	644	758	967	116	523	344	DN65	1x 12 Ltr	BMV-241005



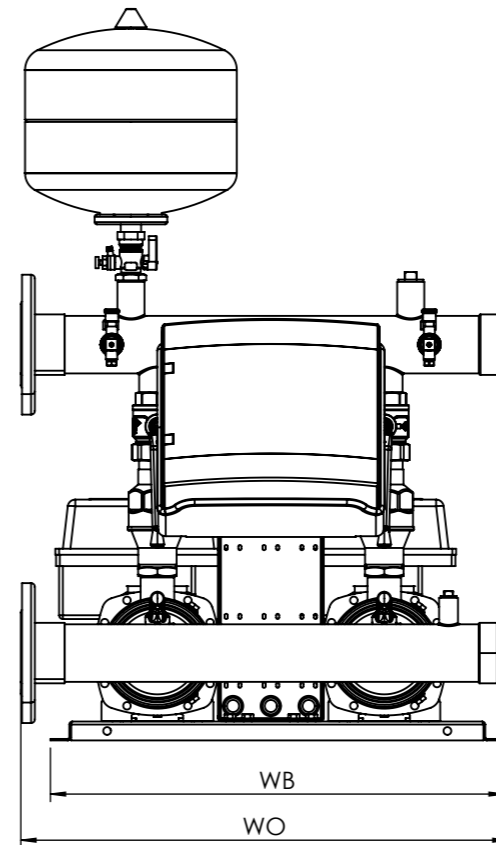
ISOMETRIC VIEW
SCALE 1 : 10



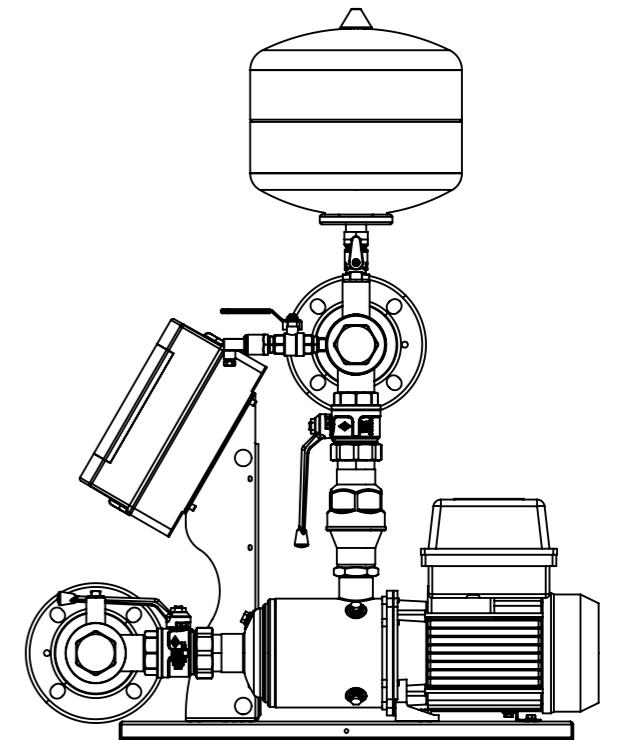
PLAN VIEW



LEFT VIEW



FRONT VIEW



RIGHT VIEW