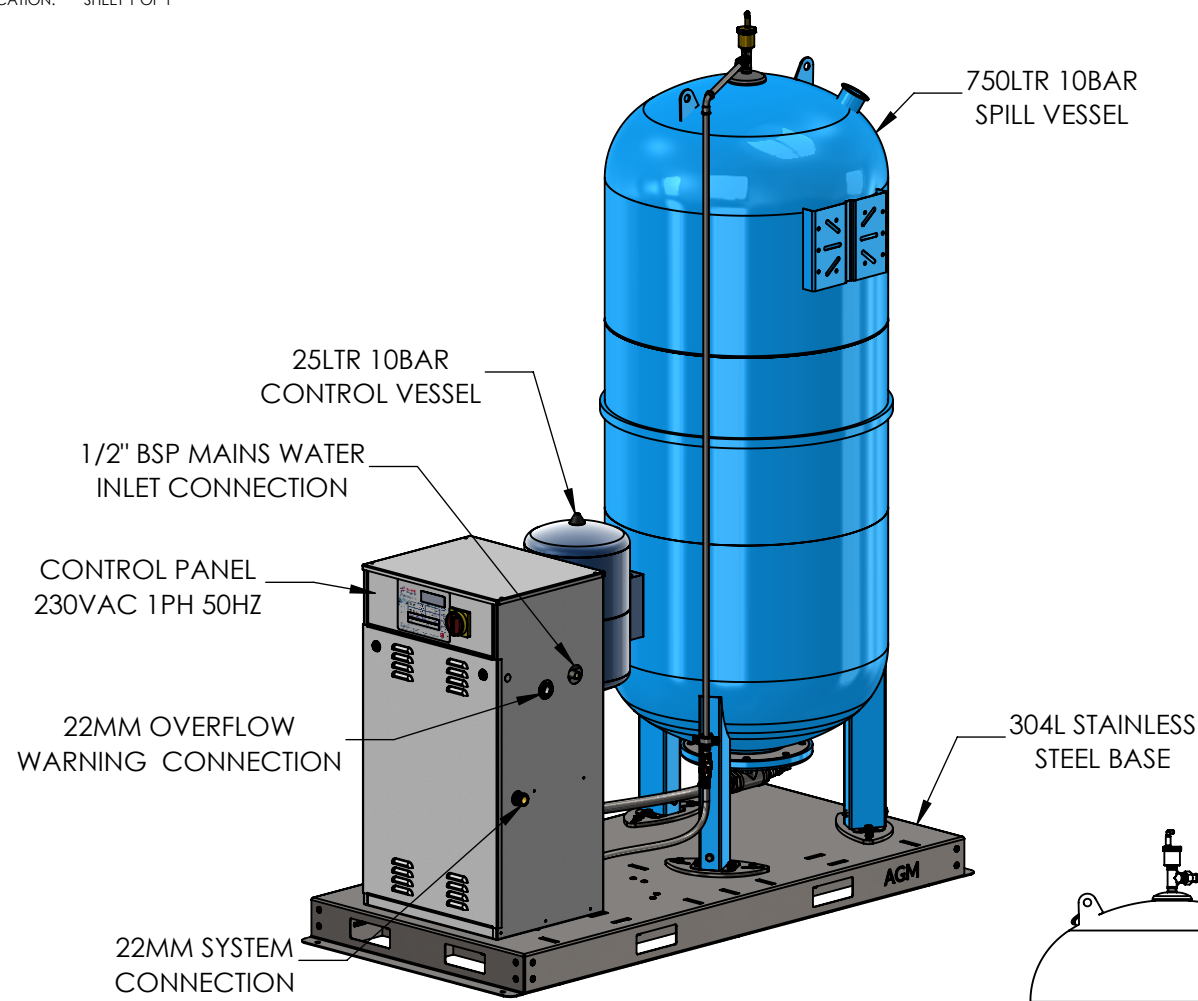
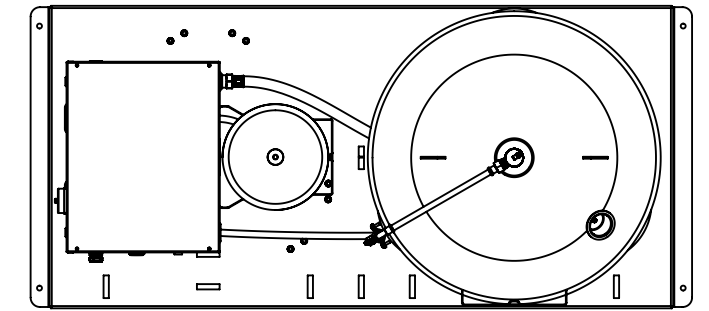


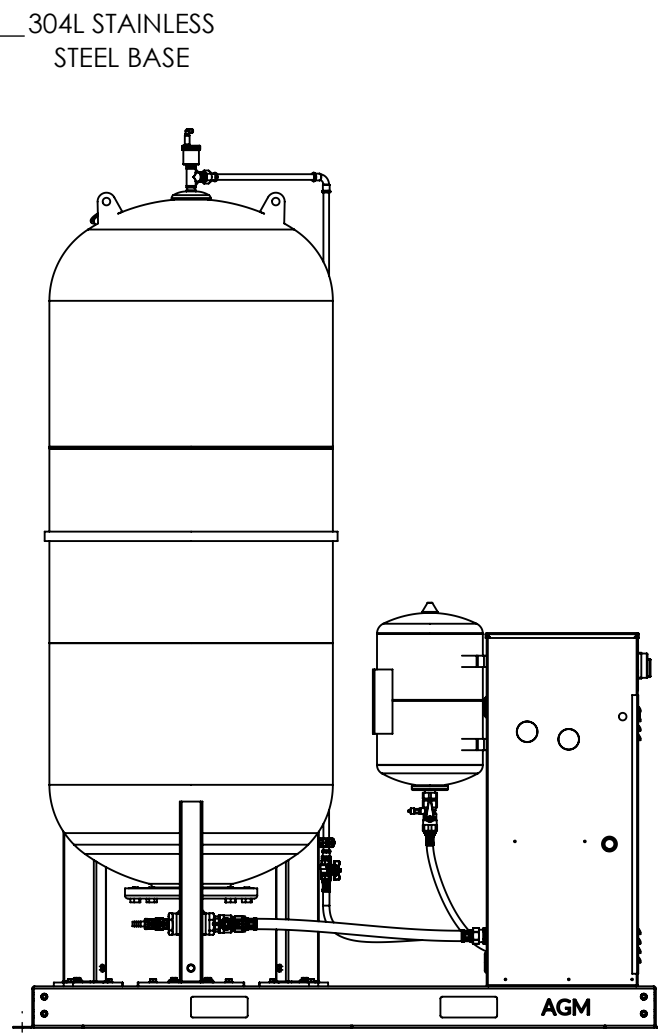
Notes:  
For Control unit details see ATE-2P400M drawing.



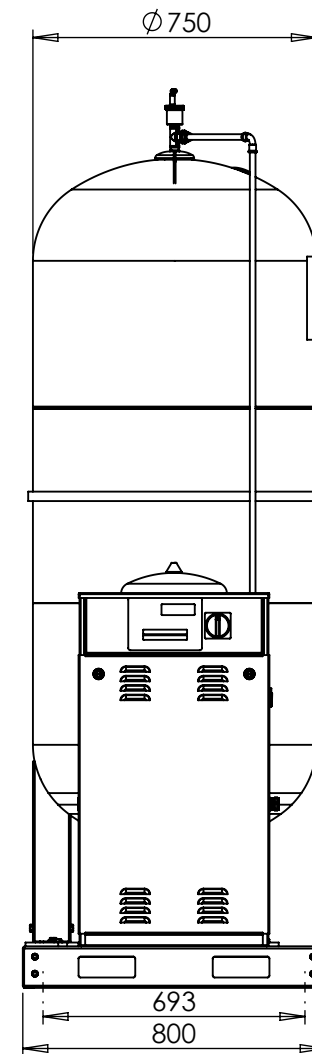
ISOMETRIC VIEW



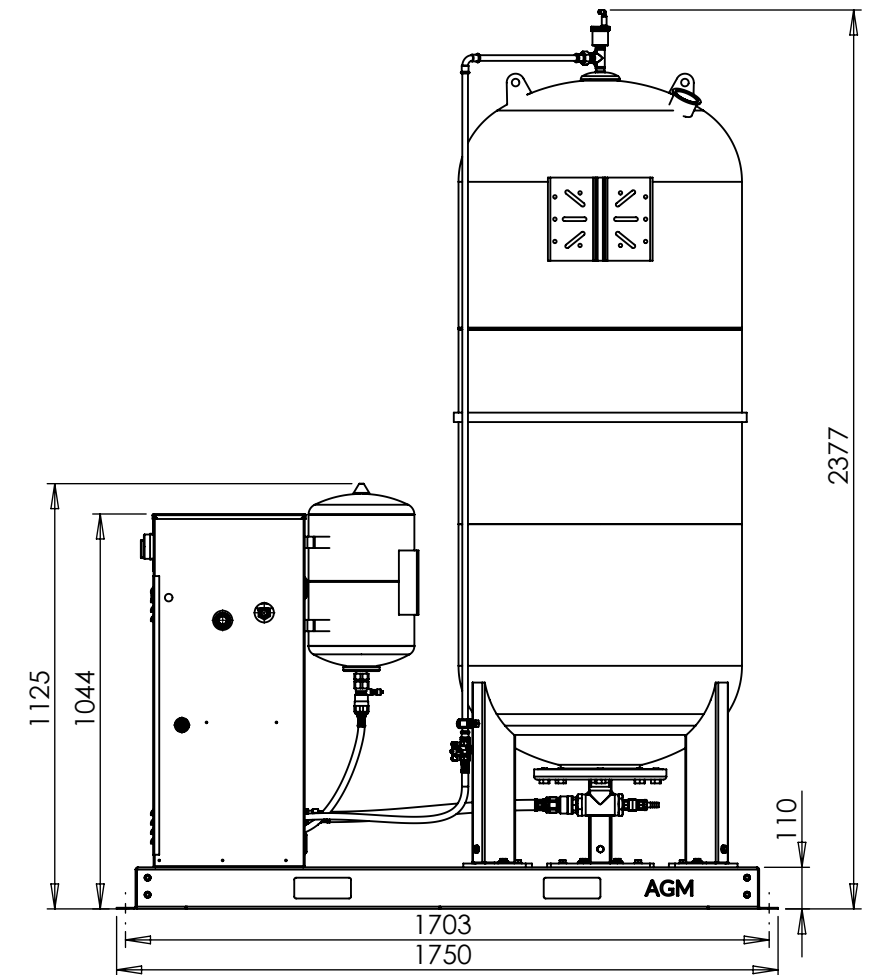
PLAN VIEW



LEFT VIEW



FRONT VIEW



RIGHT VIEW

REVISIONS				
ZONE	REV.	DESCRIPTION	APPROVED	DATE
	01		RWW	11-07-2019

UNLESS OTHERWISE SPECIFIED:  
DIMENSIONS ARE IN MILLIMETERS  
GENERAL TOLERANCE +/-10  
THIS DRAWING IS COPYRIGHT OF AQUATECH PRESSMAIN AND SHOULD NOT BE REPRODUCED WITHOUT WRITTEN PERMISSION



TITLE: SP2ET-P4-07-0 240V (AP CABINET)

DO NOT SCALE DRAWING

Head Office: AGM House, London Road, Copford, Colchester, Essex, CO6 1GT, UK  
Phone: +44 (0)1206 215121 Fax: 215131  
Web: www.aquatechpressmain.co.uk  
Email: info@aquatechpressmain.co.uk

Drawn By:RWW	Date Drawn:9/7/19	Weight: 856.05kg
Scale: 1:20 A3	Mod Rev: 0	Status: Approved
DWG NO. ATE-2P4071	Dwg Rev: 01	