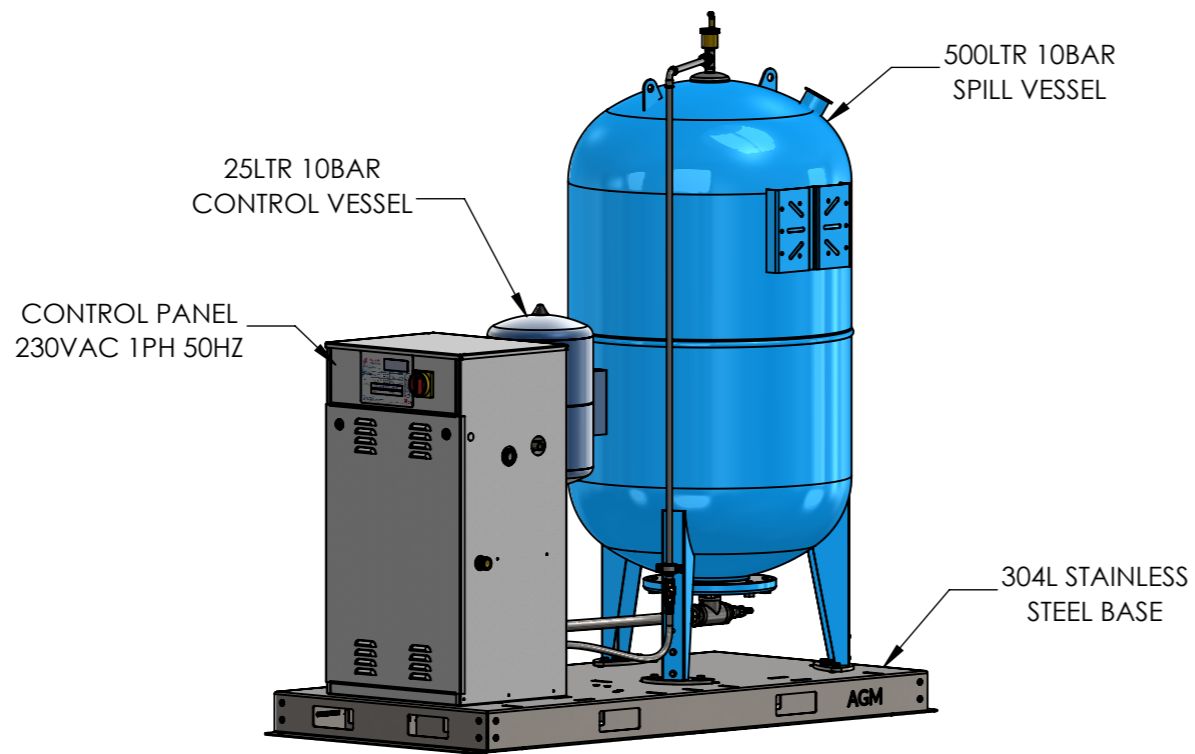
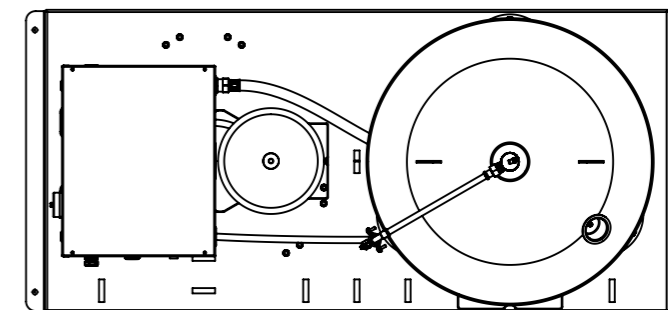


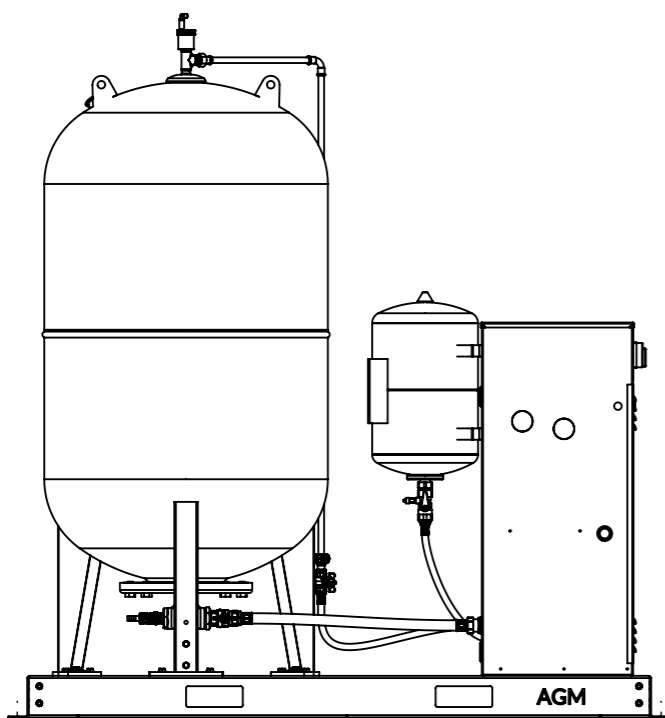
Notes:
For Control unit details see ATE-2P400M drawing.



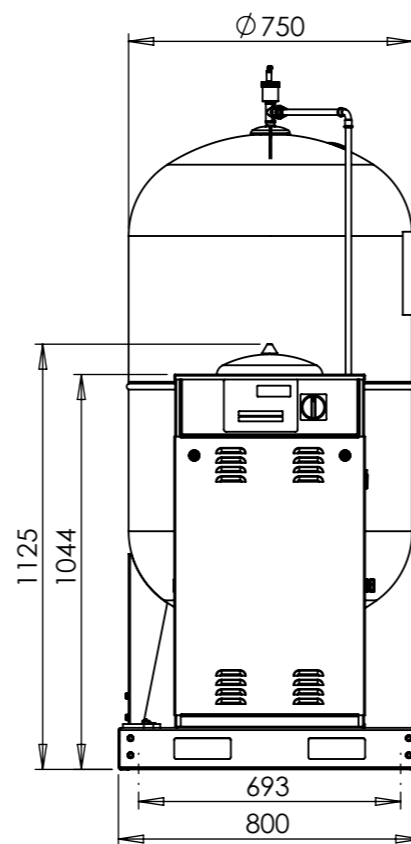
ISOMETRIC VIEW



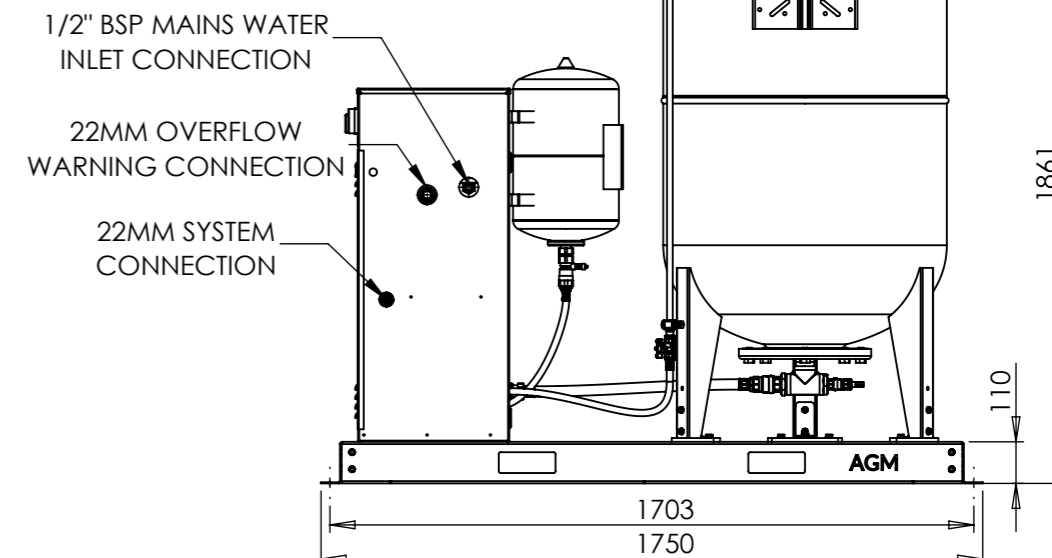
PLAN VIEW



LEFT VIEW



FRONT VIEW



RIGHT VIEW

REVISIONS				
ZONE	REV.	DESCRIPTION	APPROVED	DATE
	01		RWW	11-07-2019

UNLESS OTHERWISE SPECIFIED:
DIMENSIONS ARE IN MILLIMETERS
GENERAL TOLERANCE +/-10
THIS DRAWING IS COPYRIGHT OF AQUATECH PRESSMAIN AND SHOULD NOT BE REPRODUCED WITHOUT WRITTEN PERMISSION



TITLE: SP2ET-P4-05-0 240V (AP CABINET)

DO NOT SCALE DRAWING

Head Office: AGM House, London Road, Copford, Colchester, Essex, CO6 1GT, UK
Phone: +44 (0)1206 215121 Fax: 215131
Web: www.aquatechpressmain.co.uk
Email: info@aqatechpressmain.co.uk

Drawn By:RWW	Date Drawn:8/7/19
Scale: 1:20 A3	Mod Rev: 0
Dwg Rev: 01	Weight: 195.28kg
DWG NO. ATE-2P4051-2	Status: Approved