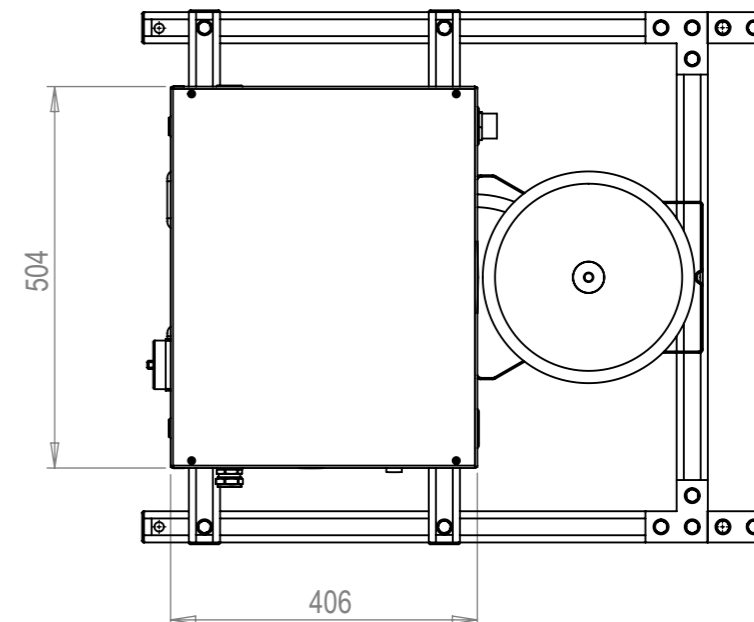
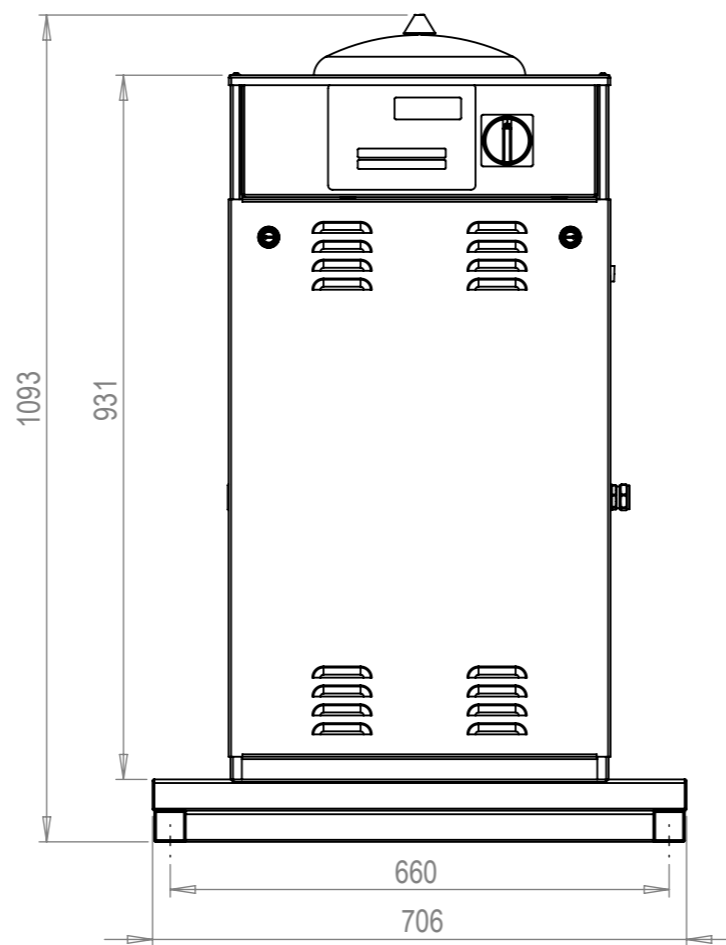


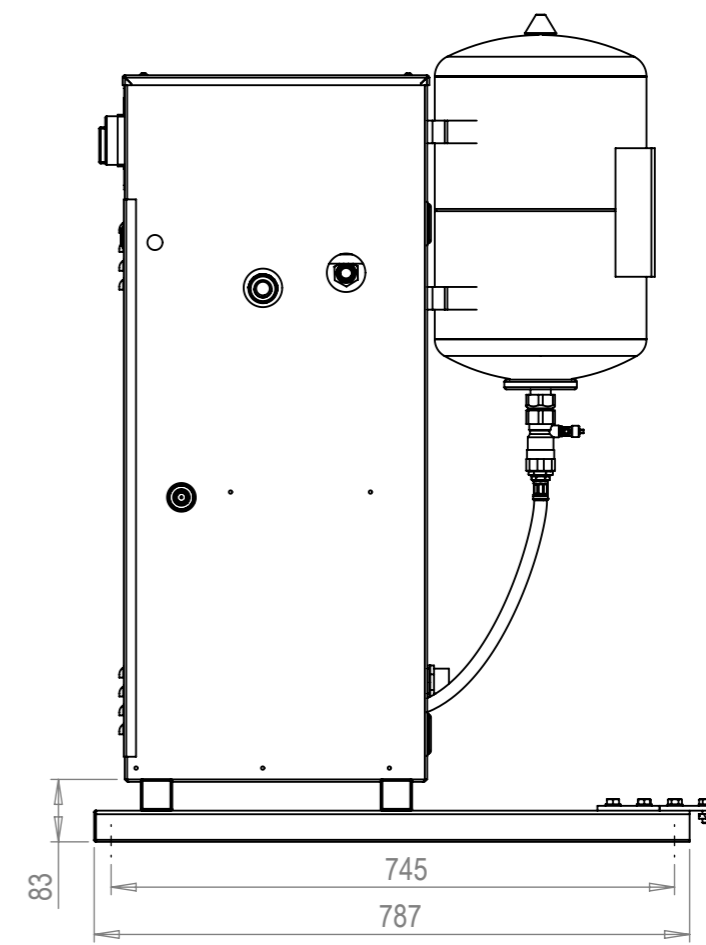
ISOMETRIC VIEW



TOP VIEW



FRONT VIEW



RIGHT VIEW

REVISIONS

REV.	AUTHOR	DESCRIPTION	DATE

UNLESS OTHERWISE SPECIFIED:
 DIMENSIONS ARE IN MILLIMETERS
 GENERAL TOLERANCE +/-10
 THIS DRAWING IS COPYRIGHT OF AQUATECH PRESSMAIN AND SHOULD NOT BE REPRODUCED WITHOUT WRITTEN PERMISSION



TITLE:

SP2ET-P4-0-0 240V (AP CABINET)

DO NOT SCALE DRAWING

Head Office: AGM House, London Road, Copford, Colchester, Essex, CO6 1GT, UK
 Phone: +44 (0)1206 215121 Fax: 215131
 Web: www.aquatechpressmain.co.uk
 Email: info@aquatechpressmain.co.uk

DRAWN BY: RWW DATE DRAWN: 10/11/17

SCALE: 1:10 A3
 MOD REV: 03 WEIGHT: 51.40Kg
 DWG REV: 03 STATUS: Approved

DWG NO. ATE-2P4001