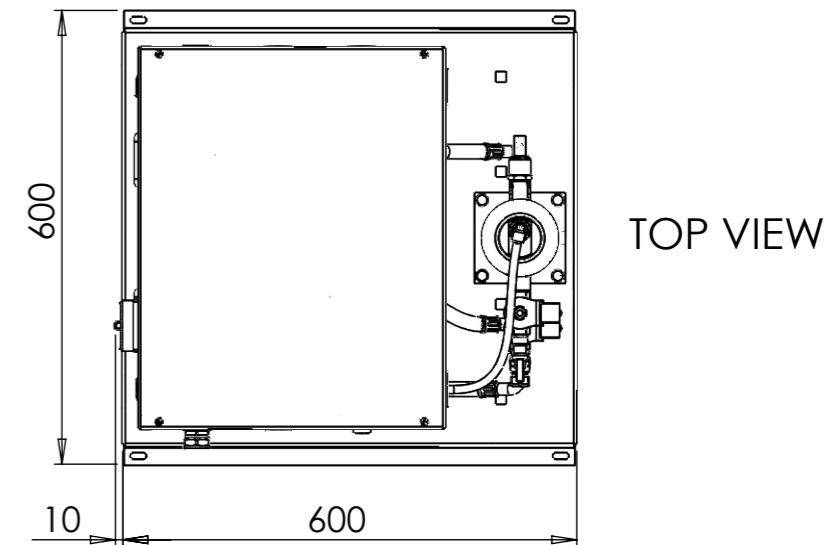
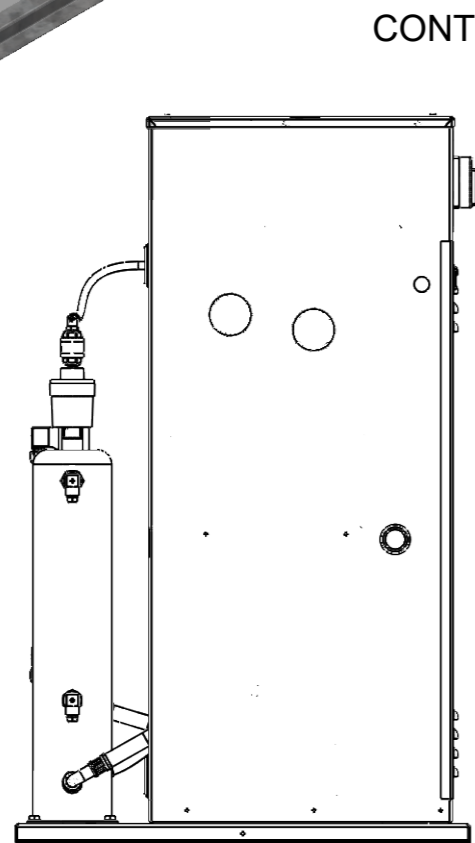


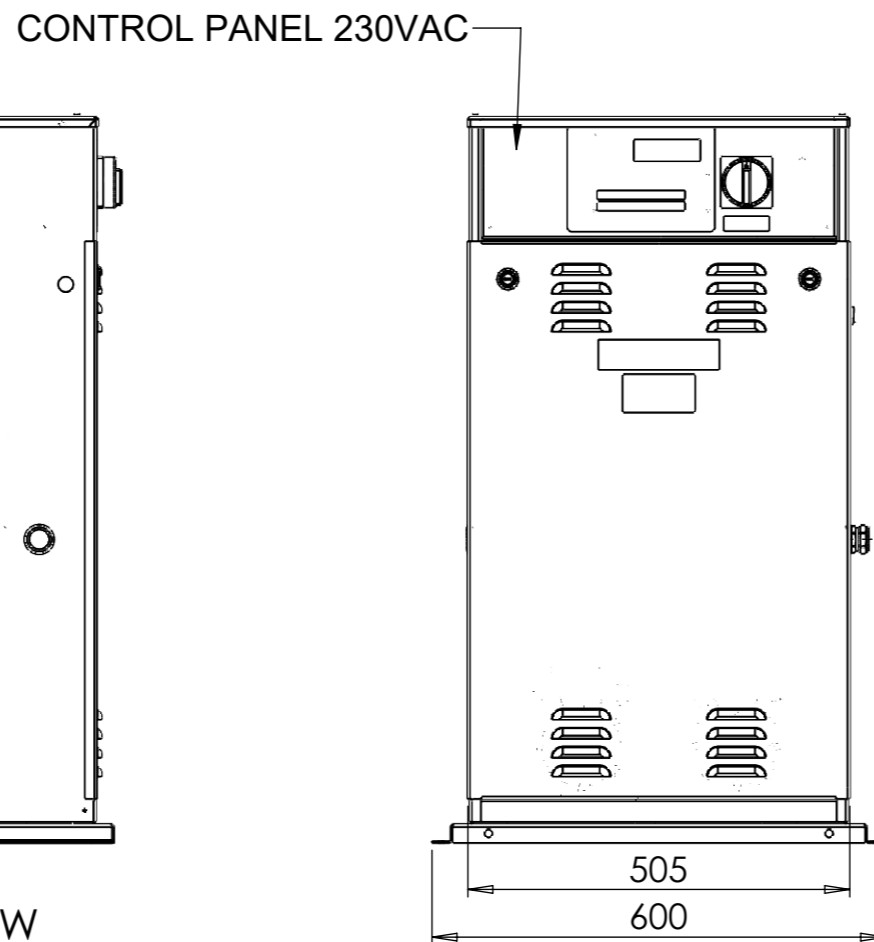
ISOMETRIC VIEW



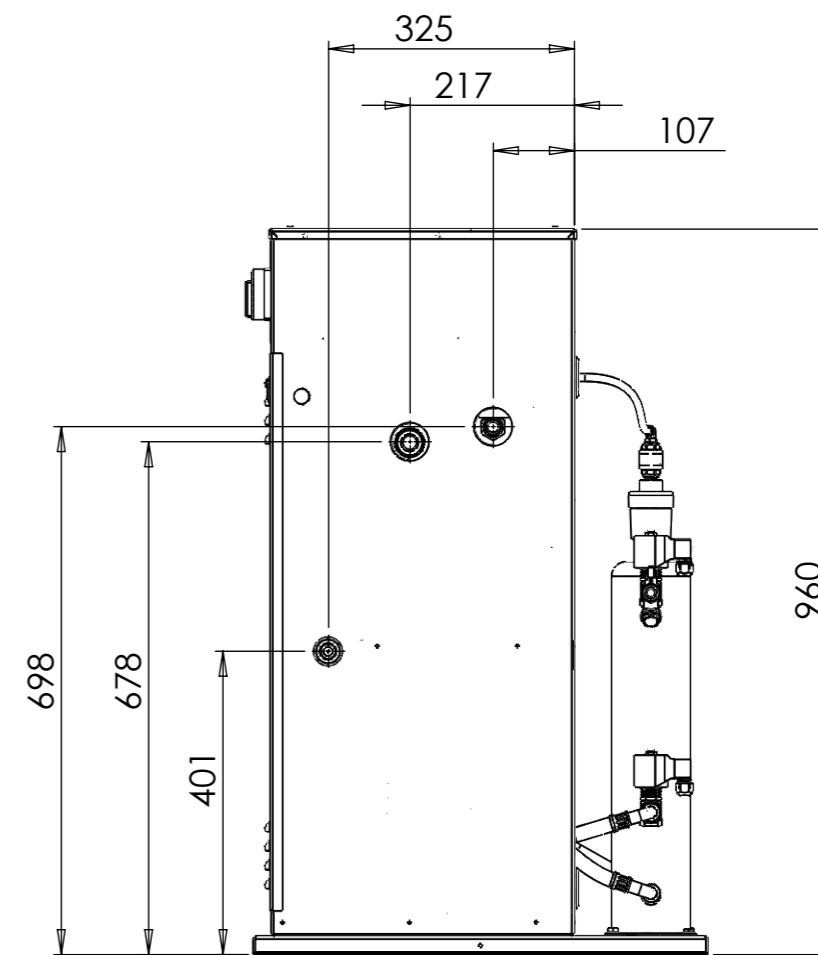
TOP VIEW



L/H SIDE VIEW



FRONT VIEW



R/H SIDE VIEW

UNLESS OTHERWISE SPECIFIED:  
DIMENSIONS ARE IN MILLIMETERS  
GENERAL TOLERANCE +/-10  
THIS DRAWING IS COPYRIGHT OF  
AQUATECH PRESSMAIN AND SHOULD  
NOT BE REPRODUCED WITHOUT  
WRITTEN PERMISSION



**DO NOT SCALE DRAWING**

Head Office: AGM House, London Road,  
Copford, Colchester, Essex, CO6 1GT, UK  
Phone: +44 (0)1206 215121 Fax: 215131  
Web: www.aquatechpressmain.co.uk  
Email: info@aquatechpressmain.co.uk

SCALE:  
**1:10 A3**

Mod Rev: **06** WEIGHT: **56.56 kg**  
Dwg Rev: **05** Status: **Approved**

TITLE:  
**AP3/6-DG PRESSURISATION UNIT 230VAC 1PH**

DWG NO.  
**APG-220300**

REV.	AUTHOR	REVISIONS DESCRIPTION	DATE