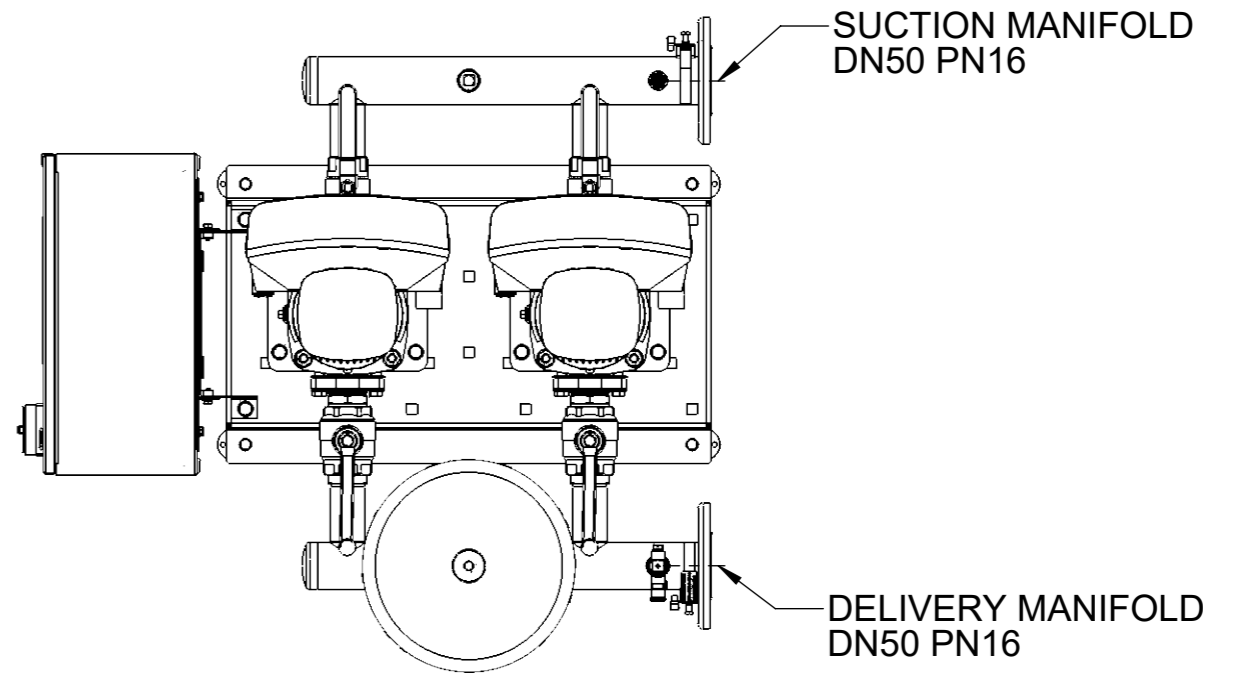


CONTROL PANEL
400VAC 3PH 50HZ

12 LTR CONTROL
VESSEL

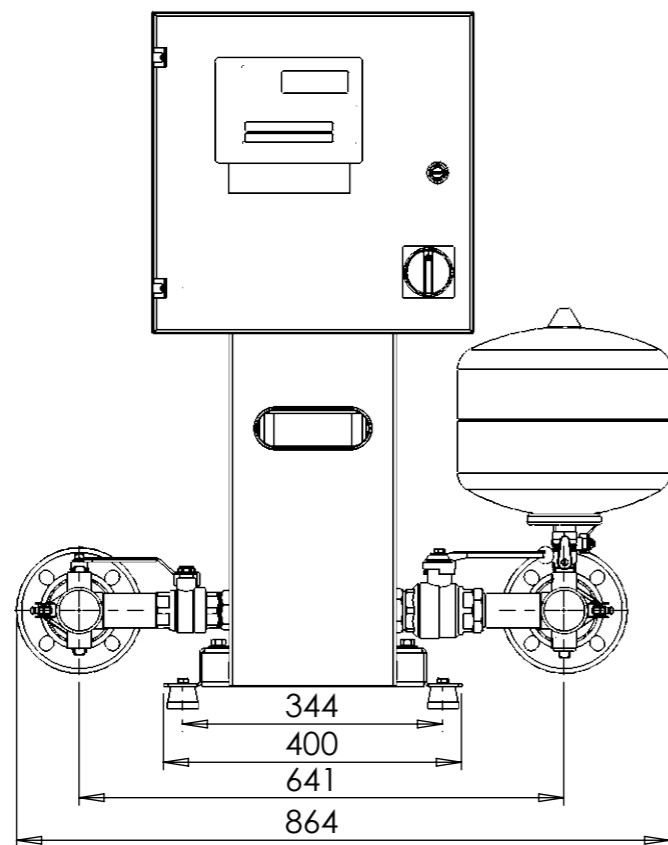
ISOMETRIC VIEW



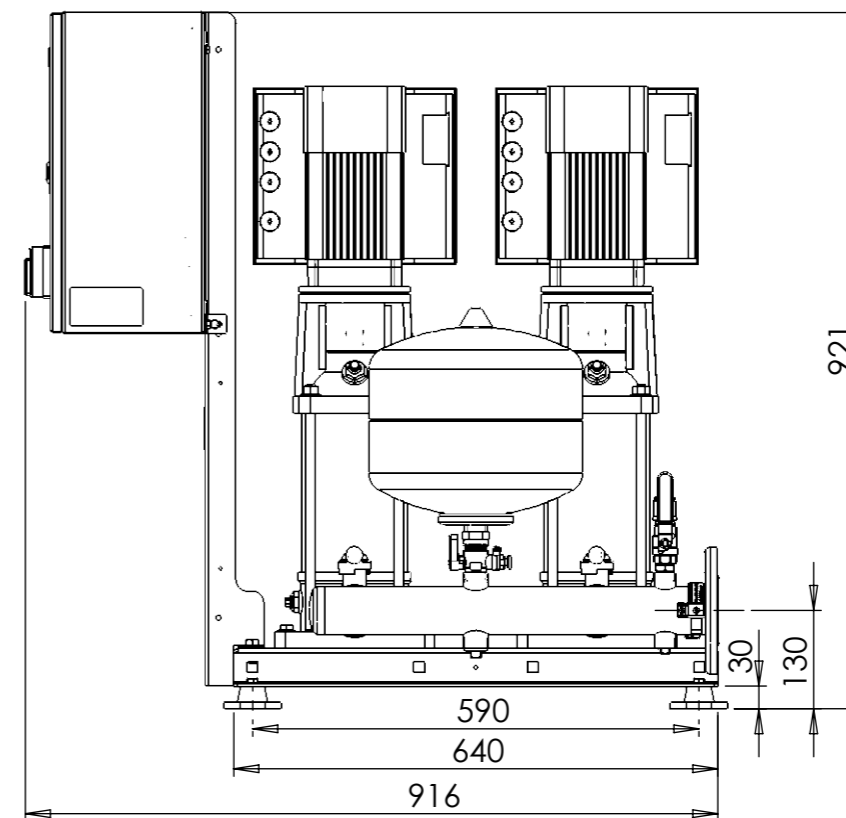
SUCTION MANIFOLD
DN50 PN16

DELIVERY MANIFOLD
DN50 PN16

PLAN VIEW



FRONT VIEW



RIGHT VIEW

REVISIONS			
REV.	AUTHOR	DESCRIPTION	DATE
0	RWW		-
01	RWW	FIRST CHECK IN	11-09-2019
02	RWW		05-11-2019

UNLESS OTHERWISE SPECIFIED:
DIMENSIONS ARE IN MILLIMETERS
GENERAL TOLERANCE +/-10
THIS DRAWING IS COPYRIGHT OF AQUATECH PRESSMAIN AND SHOULD NOT BE REPRODUCED WITHOUT WRITTEN PERMISSION



TITLE:

AMV2-FE-2-4-6.pdf

DO NOT SCALE DRAWING

Head Office: AGM House, London Road,
Copford, Colchester, Essex, CO6 1GT, UK
Phone: +44 (0)1206 215121 Fax: 215131
Web: www.aquatechpressmain.co.uk
Email: info@aquatechpressmain.co.uk

Drawn By: RWW

Date Drawn: 3/17/2016

Scale:
1:10 A3

Mod Rev:
03
Dwg Rev:
02

Weight:
161.80kg
Status:
Approved

DWG NO.

AMV2-FE-2-4-6