

HEATING & CHILLED SYSTEM ACCESSORIES

AQUATECH PRESSMAIN AIR SEPARATORS

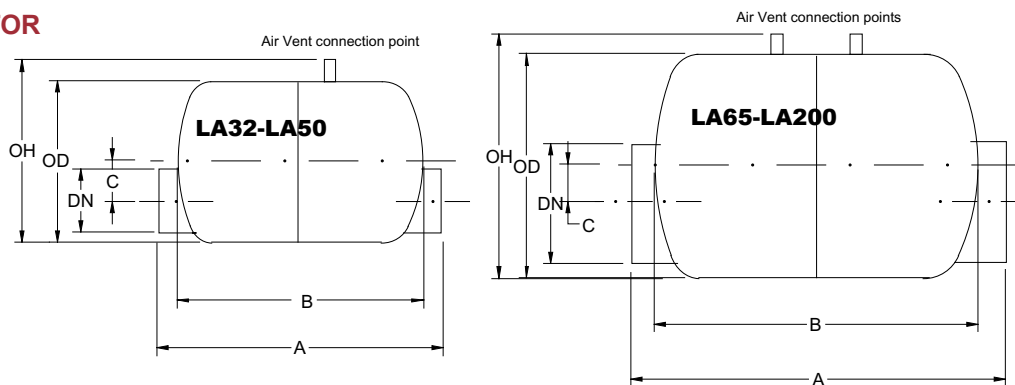
- Effective Air Elimination
- Available in sizes from 32mm to 200mm
- High Air Extraction Capacity
- Trouble Free Operation & Maintenance Free



APPLICATION

Air separators are designed to collect air contained within the system. In conjunction with automatic air valves, air separators ensure thorough elimination of air within the installation. Absorbed air in the system water will be released as air bubbles during temperature and pressure changes in the system. These air bubbles will travel with the circulating system until they reach a larger diameter waterway in the piping. At this point, the velocity of the circulating water is slowed, allowing the air bubbles to escape and collect in the system's high points. If not vented, these accumulated bubbles will cause annoying gurgling and, more seriously, contribute to corrosion and blockage of efficient circulation of system water.

AIR SEPARATOR



TYPE	A	B	C	OD	DN	OH
LA32	300	255	30	206	32	231
LA40	300	255	40	206	40	231
LA50	300	255	40	206	50	231
LA65	390	310	60	280	65	305
LA80	390	310	60	280	80	305
LA100	390	310	50	280	100	305
LA125	390	310	40	280	125	305
LA150	589	509	88	390	150	415
LA200	589	509	40	390	200	415

All dimensions in mm unless otherwise stated

AUTOMATIC AIR VENT

Dimensions:

Diameter: 35mm
Height: 75mm
System Connection: 15mm (male)
Vent size: 6mm (female)

